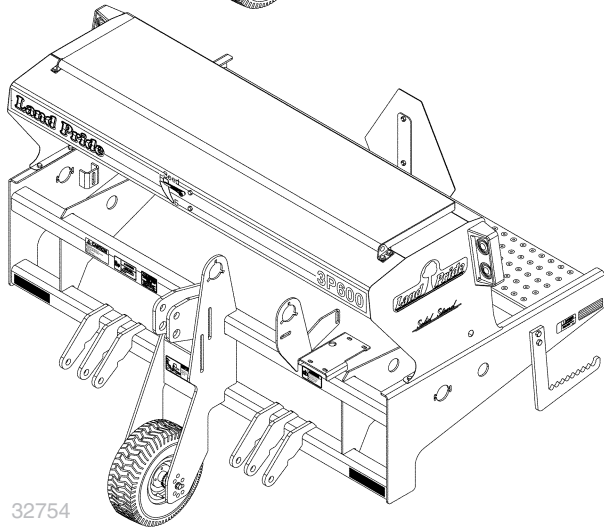
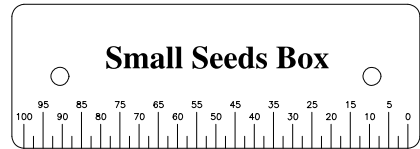
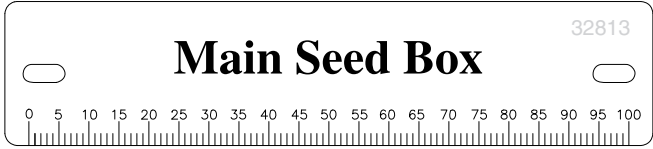
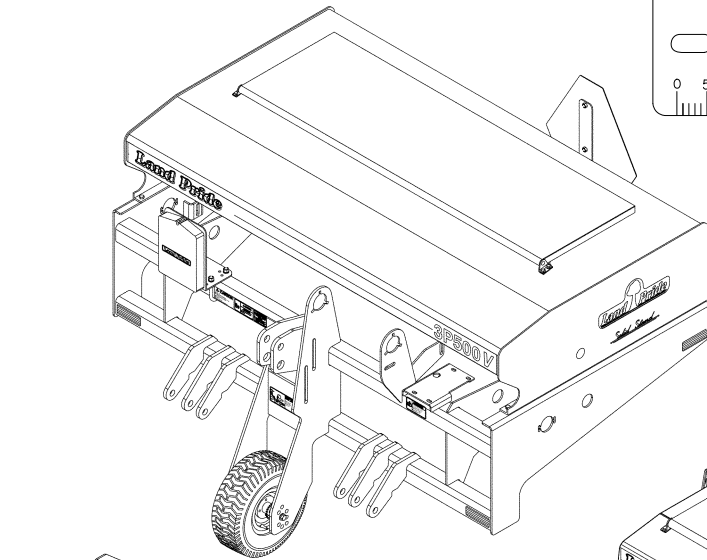
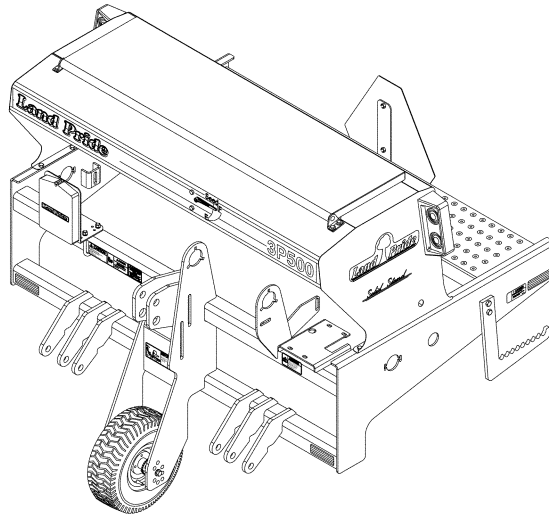


Compact Drills

3P500, 3P500V & 3P600




32754



ORIGINAL INSTRUCTIONS

313-522B
Seed Rate Manual



 Rates indicated in the charts are approximate. To assure the most accurate seeding, it is recommended that the drill be calibrated for the desired seed at the time of planting.

Illustrations may show optional equipment not supplied with standard unit.

© Copyright 2011

Printed 2011-10-21

Table of Contents

Introduction	1	Rice, Long Grain (<i>Oryza sativa indica</i>).....	24
Models Covered.....	1	Rice, Short Grain (<i>Oryza sativa japonica</i> , <i>Oryza sativa sinica</i>).....	25
Document Family.....	1	Rye (<i>Secale cereale</i>).....	26
Main Box Seed Rate	2	Perennial Rye Grass - Palmer (<i>Lolium perenne</i> , <i>Lolium multiflorum</i>).....	27
Setting Drive Type.....	2	Soybeans (<i>Glycine max</i>).....	28
Main Box Seed Rate Handle.....	3	Sunflower (<i>Helianthus annuus</i>).....	29
Position Seed Cup Doors.....	3	Tiffany Teff, Coated (<i>Eragrostis tef</i>).....	30
Main Seed Row Shutoff.....	3	Wheat (<i>Triticum</i>).....	31
Reading a Seed Rate Chart.....	4	Wheatgrass (<i>Pascopyrum smithii</i> , <i>Agropyron elongatum</i>).....	32
Main Box Seed Rate Calibration.....	5	Small Seeds Rate	33
Calibration Revolutions.....	5	Small Seeds Rate Calibration.....	33
Rate Charts, Main Seed Box.....	7	Calibration Revolutions.....	34
Alfalfa (<i>Medicago sativa</i>).....	7	Small Seeds Row Shut-Off.....	35
Bahia Grass (<i>Paspalum notatum</i>).....	8	Small Seeds Rate Charts.....	36
Barley (<i>Hordeum vulgare</i>).....	9	Alfalfa, Red Alsike, Crimson Clover.....	36
Buckwheat (<i>Fagopyrum esculentum</i>).....	10	Kentucky Bluegrass, Fescue, Annual Rye Grass.....	36
Buffalograss (<i>Buchloe dactyloides</i>).....	11	Bermuda, Red Top, Lespedeza Unhulled, Sercia, Sand, Weeping Love Grass.....	36
Bermuda Grass (<i>Cynodon dactylon</i>).....	12	Red & Sweet Clover, Lespedeza Hulled.....	36
K-31 Fescue (<i>Festuca</i>).....	13	Orchard Grass.....	36
Flax (<i>Linum usitatissimum</i>) or Sudan (<i>Sorghum bicolor</i> subsp. <i>drummondii</i>).....	14	Millet, Reed Canary.....	37
Eastern Gamma Grass - Pete (<i>Tripsacum dactyloides</i>).....	15	Ladino Clover, Canary Grass, Timothy, Canola.....	37
Kentucky Blue Grass (<i>Poa pratensis</i>).....	16	Birdsfoot, Trefoil, Sudan.....	37
Millet (<i>Pennisetum glaucum</i> , <i>Setaria italica</i> , <i>Panicum miliaceum</i> , <i>Eleusine coracana</i>).....	17	Appendix	38
Milo (<i>Sorghum</i>).....	18	Metric Rate Charts, Main Seed Box.....	38
Oats (<i>Avena sativa</i>).....	19	Metric Rate Charts, Small Seeds Box.....	64
Orchard Grass Potomac (<i>Dactylis glomerata</i>).....	20		
Peas (<i>Pisum sativum</i>).....	21		
Pinto Beans (<i>Phaseolus vulgaris</i>).....	22		
Rape (<i>Brassica napus</i>).....	23		

© Copyright 2011 All rights Reserved

Land Pride provides this publication "as is" without warranty of any kind, either expressed or implied. While every precaution has been taken in the preparation of this manual, Land Pride assumes no responsibility for errors or omissions. Neither is any liability assumed for damages resulting from the use of the information contained herein. Land Pride reserves the right to revise and improve its products as it sees fit. This publication describes the state of this product at the time of its publication, and may not reflect the product in the future.

Registered Trademarks of Great Plains Manufacturing, Inc. include:
Clear-Shot, Great Plains, Land Pride, Seed-Lok, Solid Stand.

Brand and Product Names that appear and are owned by others are trademarks of their respective owners. QR Code® is a registered trademark of Denso Wave, Inc.

Printed in the United States of America

Introduction

This manual is your guide to drill adjustments for achieving specific seed populations. It covers seeding rates for:

- the standard Main Seed Box (page 2), and
- the optional Small Seeds Attachment (page 33).

Although some setup, operation and adjustment material herein is repeated from the drill Operator's Manual, you need to be thoroughly familiar with drill operations and adjustments before applying this Seed Rate manual and its table data.

Models Covered

This rate manual applies to Land Pride drill models:

3P500	7-Row 7.5 in. (19.1 cm)
3P500	9-Row 6 in. (15.2 cm)
3P500V	9-Row 6 in. (15.2 cm)
3P600	9-Row 7.5 in. (19.1 cm)
3P600	11-Row 6 in. (15.2 cm)

Document Family

313-517M	Operator's Manual
313-517P	Parts Manual
313-522B	Seed Rate Manual (this document)

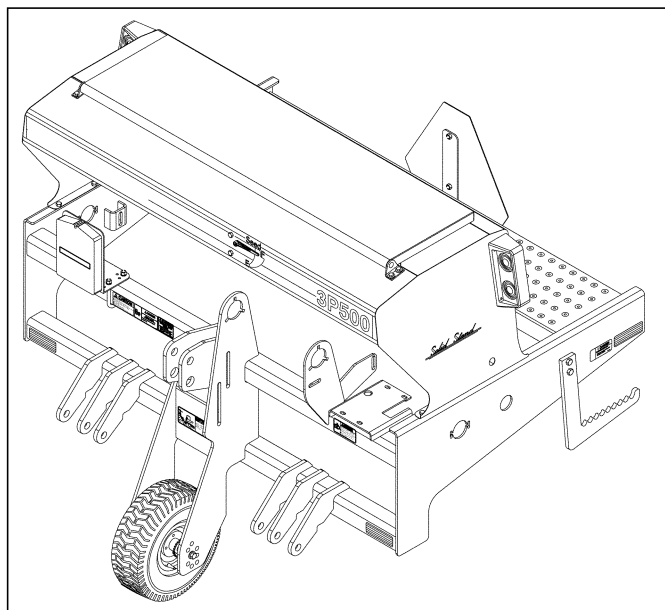


Figure 1
3P500 Compact Drill 32713

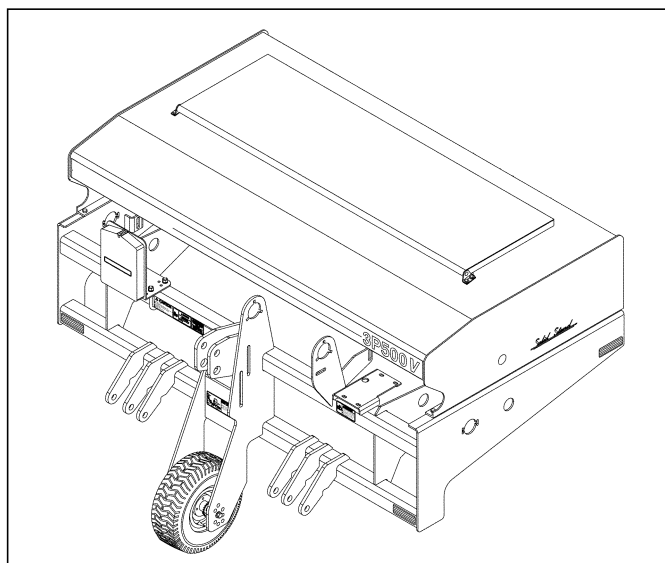


Figure 2
3P500V Compact Drill 32727

Main Box Seed Rate

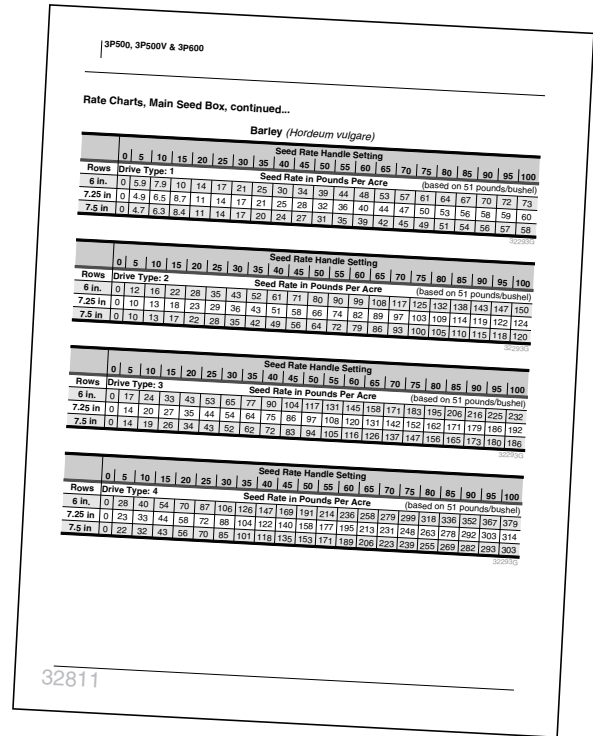
Accurately obtaining the desired seed population requires four steps:

1. Setting Drive Type gearbox (from chart)
2. Setting initial Seed Rate Handle (from chart)
3. Positioning Seed Cup Door (by seed type)
4. Calibration: checking predicted seeding rate

Seed rate charts begin on page 7. The charts list proper Drive Type and seed rate handle settings for various seeds and seeding rates.

The seed rate charts are based on cleaned, untreated seed of average size and test weight. The charts are based on factory-supplied new 5.70L x 8 tires, inflated to factory specification. Many factors affect seeding rates including foreign material, seed treatment, seed size, seed weight, field conditions, tire pressure and test weight.

Use the charts only as a starting point. Minor adjustments are commonly required. Set and check the seeding rate using the procedures beginning on page 5, then readjust the rate as necessary.



Setting Drive Type

Refer to Figure 3

The charts list Drive Types as 1, 2, 3 or 4. Drive Type is determined by the handle ① on the gearbox cover at left front of the drill. Move the handle until the Drive Type number appears in the handle window ②.

For correct Drive Type, refer to the charts in the Seed Rate manual. Each Drive Type corresponds to a specific gear ratio.

Drive Type	Relative Speed
1	Slowest
2	2.06 times faster than Type 1
3	3.08 times faster than Type 1
4	5.02 times faster than Type 1

32790

Note: Drive Type affects both Main Box and optional Native Grass seed rates.

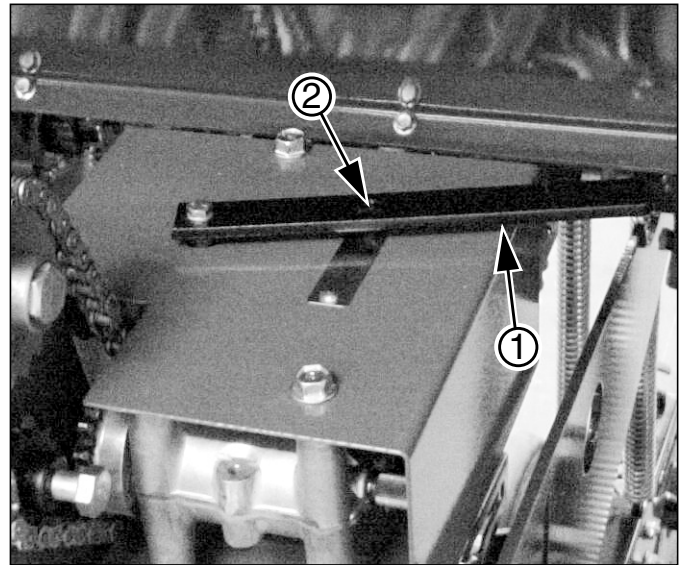


Figure 3 Gearbox Handle Adjustment

18476

Main Box Seed Rate Handle

Refer to *Figure 4*

There is a single main seed box rate handle for the entire drill.

The seed rate handle controls the percent engagement of the seed sprocket in each seed cup. The initial setting of the handle is given by the Seed Rate Chart.

Note: You can temporarily stop main seed flow (such as for adjusting level/depth) with handle set to zero.

To set the handle:

1. Loosen wing nut ① under handle.
2. Move indicator ② from current setting to about 10 higher than the new desired value from calibration or the Seed Rate Chart, then back to the desired value.
3. Tighten wing nut.

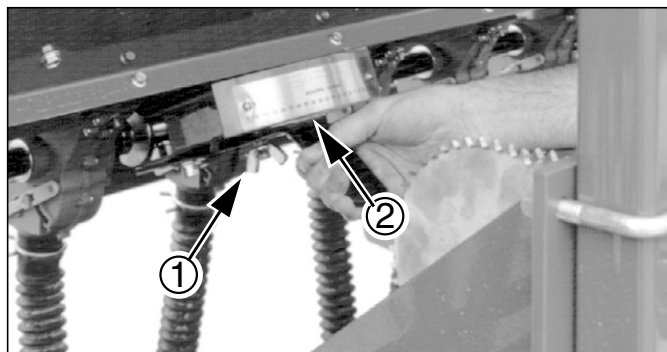


Figure 4
Main Box Seed Rate Handle

32792

Position Seed Cup Doors

Refer to *Figure 5*, which depicts the seed cup door handle in position ③.

At each main seed box seed tube, adjust the seed cup door handle ④ for the seed size.

The handle has three normal operating position detents:

- ① (top detent) is for the smallest seeds. Use it for wheat and similar small seeds.
- ② (middle detent) is for larger seeds. Use it for soybeans and similar larger seeds.
- ③ (bottom detent) is for oversize or fragile seeds. If you experience excessive cracking with setting ②, use setting ③.

Note: Handle position ⑤ is used for clean-out, not planting. If set to this position with seed loaded, it may be difficult to reset it to a normal operating position.

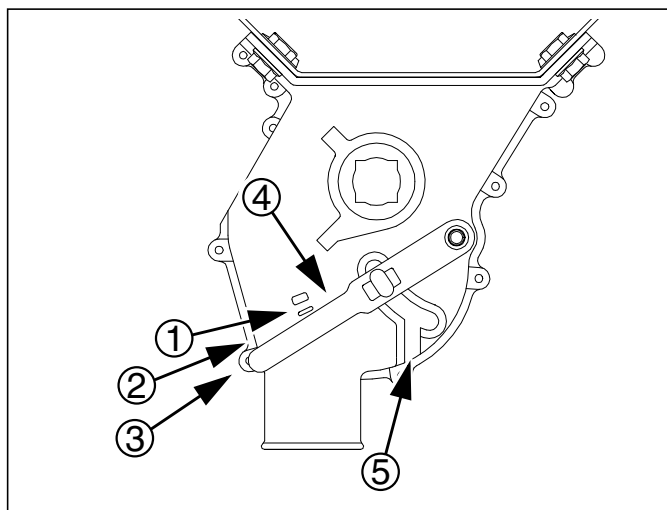


Figure 5
Seed Cup Door Handle

26211

Main Seed Row Shutoff

If alternate row spacings are desired, the unused rows can be shut off with optional plugs.

1. Clean-out seed. The seed box must be empty prior to inserting plugs. See “Main Box Clean-Out” in Operator’s manual.

Refer to *Figure 6*

2. Insert one plug at each row to shut off. Verify the seed hose path before inserting the plug, as some hoses do not make a strictly vertical drop to their row units.
3. Review seed rate settings prior to planting. Perform calibration calculations with the actual active row count.

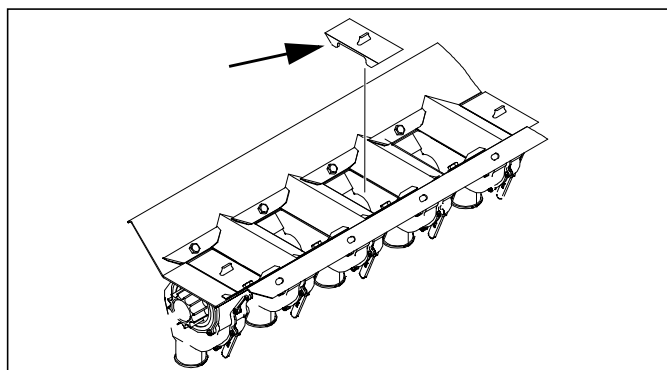


Figure 6
Seed Cup Plug

26279

Reading a Seed Rate Chart

- Find your seed. Charts are in alphabetical order by common North American seed name. Scientific names are provided. Charts covering more than one seed may be out of order. For Sudan, see Flax.

The example presumes you desire to plant:
Barley at 60 pounds per acre with a 7.5 in. drill.

There are multiple chart sections for some seeds, and the rates may overlap. Use the chart where your desired rate is closest to 50 on the Seed Rate Handle scale.

In our example, that would be Barley Drive Type 2.

If your seed is not listed, find one with similar size, shape and density. Density of the test seed used to develop the chart appears under the right end of the handle scale values.

- Note the Drive Type for the chart rate row chosen (at left above rates). This number (1-4) is used to determine the gearbox handle setting. See page 2.

In the example, this is
Drive Type 2

- Find your row spacing in the far left column.

- Locate your desired seed rate in the table row for your row spacing.

In the example the rate closest to 60 is:
64

- Note the Seed Rate Handle setting required, at the top of the column at that seed rate. This is the initial value set on the Seed Rate Handle. See page 3.

In the example, start with a handle setting of:
50 (or interpolate to 47),
 and calibrate. When a target rate falls halfway between handle settings, you can adjust the handle slightly to compensate, as in the example, but calibration is apt to result in further adjustment anyway.

Barley, continued...

Barley (<i>Hordeum vulgare</i>) 32811										
--	--	--	--	--	--	--	--	--	--	--

Seed Rate Handle Setting										
5	10	15	20	25	30	35	40	45	50	55
Type: 2 32811 Seed Rate in Pounds Per Acre										
2	16	22	28	35	43	52	61	71	80	90
0	13	18	23	29	36	43	51	58	66	74
0	13	17	22	28	35	42	49	56	64	72

0	65	70	75	80	85	90	95	100
Acre (based on 51 pounds/bushel)								
45	158	171	183	195	206	216	225	232

0	5	10	15	20	25	30	35	40	45	50
Drive Type: 2 32811 Seed Rate in Pounds Per Acre										
0	12	16	22	28	35	43	52	61	71	80
0	10	13	18	23	29	36	43	51	58	66

7.25 in	0	10	13	18	23	29	36	43	51
7.5 in	0	10	13	17	22	28	35	42	49

2	28	35	43	52	61	71	80	90	99	108
8	23	29	36	43	51	58	66	74	82	89
7	22	28	35	42	49	56	64	72	79	86

Seed Rate Handle Setting										
15	20	25	30	35	40	45	50	55	60	65
Seed Rate in Pounds Per Acre										
22	28	35	43	52	61	71	80	90	99	108
18	23	29	36	43	51	58	66	74	82	89
17	22	28	35	42	49	56	64	72	79	86

Main Box Seed Rate Calibration

Differences will exist between the tested seed and field conditions used to generate the Seed Rate Charts, and your seed and conditions. To accurately achieve your target population, Land Pride recommends calibrating.

Due to the large number of crank revolutions per acre (786 or 982) and per hectare (1942 or 2427), a practical calibration is a simulation of 1/10th acre or 1/10th hectare.

1. Estimate the sample sizes.

$$RateSample = \frac{FieldRate}{10}$$

$$SamplePerRow = \frac{RateSample}{RowCount}$$

$$ExpectedSample = SamplePerRow \times SampledRows$$

2. To perform this calibration, you need a scale that is accurate at the aggregate sample size, and three (3) light containers, each capable of holding the expected *SamplePerRow*. Record the empty container weights.
3. Raise the drill so the gauge wheel is just out of ground contact.
4. Remove the calibration crank from its storage stob. Store the retaining pin on the stob.

Refer to Figure 7

5. Place the hex socket of the crank on the left end of the main jackshaft.
6. Pull the seed hoses off the top of three opener seed tubes, at the top of the openers. Place the hoses into each sample container.

Example: You want to apply barley at 60 pounds per acre with a 3P600 7.5 inch drill. *RateSample* is:

$$6.0 = \frac{60}{10}$$

Example: the drill has 9 rows. *SamplePerRow* is:

$$0.67 = \frac{6.0}{9}$$

Example: 3 rows are to be used in the sampling. *ExpectedSample* is:

$$2.0 = 0.67 \times 3$$

The expected sample weight is 2.0 lb.

Example: 3 containers, each weighing 0.5lb:

$$ContainerWeight = 1.5 \text{ lb}$$

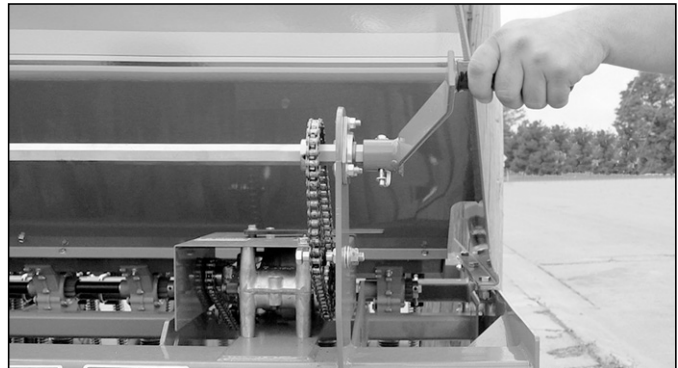


Figure 7 32793
Calibration Crank

Calibration Revolutions

Drill Model	Rotations Per ...				
	3P500	Acre	1/10 th ac.	Hectare	1/10 th ha
Crank	982	98.2	2427	243	
Tire	1752	175	4329	433	

Drill Model	Rotations Per ...				
	3P500V	Acre	1/10 th ac.	Hectare	1/10 th ha
Crank	982	98.2	2427	243	
Tire	1752	175	4329	433	

Drill Model	Rotations Per ...				
	3P600	Acre	1/10 th ac.	Hectare	1/10 th ha
Crank	786	78.6	1942	194	
Tire	1402	140	3464	346	

32366

7. If not already done, set the Drive Type, Seed Rate Handle and Seed Cup Doors across the drill. If any optional seed boxes are loaded, disconnect their drive or set their rate to zero (unless you are simultaneously calibrating multiple boxes).
8. Load seed above the rows to be sampled. Load well more than the expected sample size.
9. Rotate the crank several turns to ensure that the drives and seed cups are engaged, working properly, free from foreign material, and that seed is flowing steadily from the meters. Stop.
10. Note the current reading of the acremeter, unless removed or you do not plan to rely on it for the calibration.
11. Empty the sample containers back into the seed box, and place them back under the three hoses to gather metered seed.
12. Turn crank at a steady rate until one tenth acre or hectare is tallied on acremeter (or count rotations based on the table on page 5). While turning, check that cups have ample seed coming into them.
13. Weigh metered seed. Subtract initial weight of container(s).

$$\text{NetWeight} = \text{GrossWeight} - \text{ContainerWeight}$$
14. Divide the net seed weight by three. Multiply by number of openers on your drill, and then by ten, to determine the total of pounds per acre seeded.

$$\text{MeasuredRate} = \frac{\text{NetWeight}}{3} \times \text{OpenerCount} \times 10$$
15. The Seed Rate Handle scale is a percentage of meter opening, and its effect is linear near scale center. Calculate a new scale setting based on the test.

Set the Seed Rate Handle to the new scale setting.

$$\text{NewScale} = \frac{\text{TargetRate}}{\text{MeasuredRate}} \times \text{PreviousScale}$$
16. You may want to repeat calibration procedure at the new setting if your results varied greatly from the Seed Rate Chart, or if you must operate near the ends of the Seed Rate handle scale (0-20 or 90-100).
17. With calibration complete, store calibration crank, re-engage hub if locked-out, reinstall any removed chains or sprockets, reconnect seed hoses and re-install acremeter (if removed - tighten only to snug).

Example: you desire to plant barley at:
60 pounds per acre
 which is between
45 and 50
 on the Drive Type 2 chart.
 Use an initial Seed Rate Handle (*InitialHandle*) scale setting of:
48

3P600 crank rotations for one tenth acre:
78.6

Example: the containers weighed a total of 3.23 pounds after test:
1.73 lbs net

$$1.73 = 3.23 - 1.5$$

Example: *MeasuredRate* is:
52 lbs/ac

$$52 = \frac{1.73}{3} \times 9 \times 10$$

Example:
 the target rate was 60 lbs/ac, and the initial scale 48:
 the new scale setting is:
55

$$55 = \frac{60}{52} \times 48$$

18. Check that your tire(s) is(are) properly inflated. See "Tire Inflation Chart" in Operator's manual.

When drilling, check seeding rate by noting acres drilled, amount of seed added to drill and seed level in drill box. If you are seeding more or less than desired, adjust rate slightly to compensate for field conditions.

Rate Charts, Main Seed Box

Charts in U.S. customary units.
Metric charts begin on page 38.

Alfalfa (*Medicago sativa*)

	Seed Rate Handle Setting																				
	0	5	10	15	20	25	30	35	40	45	50	55	60	65	70	75	80	85	90	95	100
Rows	Drive Type: 1																				
	Seed Rate in Pounds Per Acre (based on 60 pounds/bushel)																				
6 in.	0	5.8	8.4	11	15	18	22	26	31	35	40	45	49	54	59	63	67	72	76	79	83
7.5 in.	0	4.6	6.7	9.1	12	15	18	21	25	28	32	36	39	43	47	50	54	57	61	64	66

32291E

	Seed Rate Handle Setting																				
	0	5	10	15	20	25	30	35	40	45	50	55	60	65	70	75	80	85	90	95	100
Rows	Drive Type: 2																				
	Seed Rate in Pounds Per Acre (based on 60 pounds/bushel)																				
6 in.	0	12	17	23	30	38	46	54	63	73	82	92	101	111	120	130	139	147	156	163	171
7.5 in.	0	9.5	14	19	24	30	37	44	51	58	66	73	81	89	96	104	111	118	125	131	136

32291E

	Seed Rate Handle Setting																				
	0	5	10	15	20	25	30	35	40	45	50	55	60	65	70	75	80	85	90	95	100
Rows	Drive Type: 3																				
	Seed Rate in Pounds Per Acre (based on 60 pounds/bushel)																				
6 in.	0	19	27	36	46	57	69	81	94	108	121	135	149	163	176	189	202	214	225	236	246
7.5 in.	0	15	22	29	37	46	55	65	75	86	97	108	119	130	141	151	162	171	180	189	196

32291E

	Seed Rate Handle Setting																				
	0	5	10	15	20	25	30	35	40	45	50	55	60	65	70	75	80	85	90	95	100
Rows	Drive Type: 4																				
	Seed Rate in Pounds Per Acre (based on 60 pounds/bushel)																				
6 in.	0	31	44	59	75	93	112	133	154	175	198	220	243	265	287	309	329	349	368	385	400
7.5 in.	0	25	35	47	60	75	90	106	123	140	158	176	194	212	230	247	264	279	294	308	320

32291E

Rate Charts, Main Seed Box, continued...

Bahia Grass (*Paspalum notatum*)

	Seed Rate Handle Setting																				
	0	5	10	15	20	25	30	35	40	45	50	55	60	65	70	75	80	85	90	95	100
Rows	Drive Type: 1																				
	Seed Rate in Pounds Per Acre (based on 40 pounds/bushel)																				
6 in.	0	2.7	3.9	5.6	7.9	11	14	17	21	25	29	33	38	42	46	50	54	57	60	63	65
7.5 in	0	2.2	3.1	4.5	6.3	8.5	11	14	17	20	23	27	30	33	37	40	43	46	48	50	52

32292E

	Seed Rate Handle Setting																				
	0	5	10	15	20	25	30	35	40	45	50	55	60	65	70	75	80	85	90	95	100
Rows	Drive Type: 2																				
	Seed Rate in Pounds Per Acre (based on 40 pounds/bushel)																				
6 in.	0	5.5	8.0	12	16	22	28	36	43	51	60	69	77	86	94	103	110	118	124	130	134
7.5 in	0	4.4	6.4	9.3	13	18	23	28	35	41	48	55	62	69	76	82	88	94	99	104	107

32292E

	Seed Rate Handle Setting																				
	0	5	10	15	20	25	30	35	40	45	50	55	60	65	70	75	80	85	90	95	100
Rows	Drive Type: 3																				
	Seed Rate in Pounds Per Acre (based on 40 pounds/bushel)																				
6 in.	0	8.3	12	17	24	33	43	53	65	77	90	103	116	129	142	154	166	176	186	194	201
7.5 in	0	6.6	10	14	20	26	34	43	52	62	72	82	93	103	113	123	132	141	149	156	161

32292E

	Seed Rate Handle Setting																				
	0	5	10	15	20	25	30	35	40	45	50	55	60	65	70	75	80	85	90	95	100
Rows	Drive Type: 4																				
	Seed Rate in Pounds Per Acre (based on 40 pounds/bushel)																				
6 in.	0	14	19	28	40	54	69	87	106	126	147	168	189	210	231	251	270	287	303	317	328
7.5 in	0	11	16	23	32	43	56	70	85	101	117	134	151	168	185	201	216	230	243	254	263

32292E

Rate Charts, Main Seed Box, continued...

Barley (*Hordeum vulgare*)

	Seed Rate Handle Setting																				
	0	5	10	15	20	25	30	35	40	45	50	55	60	65	70	75	80	85	90	95	100
Rows	Drive Type: 1																				
	Seed Rate in Pounds Per Acre (based on 51 pounds/bushel)																				
6 in.	0	5.9	7.9	10	14	17	21	25	30	34	39	44	48	53	57	61	64	67	70	72	73
7.5 in	0	4.7	6.3	8.4	11	14	17	20	24	27	31	35	39	42	45	49	51	54	56	57	58

32293E

	Seed Rate Handle Setting																				
	0	5	10	15	20	25	30	35	40	45	50	55	60	65	70	75	80	85	90	95	100
Rows	Drive Type: 2																				
	Seed Rate in Pounds Per Acre (based on 51 pounds/bushel)																				
6 in.	0	12	16	22	28	35	43	52	61	71	80	90	99	108	117	125	132	138	143	147	150
7.5 in	0	10	13	17	22	28	35	42	49	56	64	72	79	86	93	100	105	110	115	118	120

32293E

	Seed Rate Handle Setting																				
	0	5	10	15	20	25	30	35	40	45	50	55	60	65	70	75	80	85	90	95	100
Rows	Drive Type: 3																				
	Seed Rate in Pounds Per Acre (based on 51 pounds/bushel)																				
6 in.	0	17	24	33	43	53	65	77	90	104	117	131	145	158	171	183	195	206	216	225	232
7.5 in	0	14	19	26	34	43	52	62	72	83	94	105	116	126	137	147	156	165	173	180	186

32293E

	Seed Rate Handle Setting																				
	0	5	10	15	20	25	30	35	40	45	50	55	60	65	70	75	80	85	90	95	100
Rows	Drive Type: 4																				
	Seed Rate in Pounds Per Acre (based on 51 pounds/bushel)																				
6 in.	0	28	40	54	70	87	106	126	147	169	191	214	236	258	279	299	318	336	352	367	379
7.5 in	0	22	32	43	56	70	85	101	118	135	153	171	189	206	223	239	255	269	282	293	303

32293E

Rate Charts, Main Seed Box, continued...

Buckwheat (*Fagopyrum esculentum*)

	Seed Rate Handle Setting																				
	0	5	10	15	20	25	30	35	40	45	50	55	60	65	70	75	80	85	90	95	100
Rows	Drive Type: 1																				
	Seed Rate in Pounds Per Acre (based on 48 pounds/bushel)																				
6 in.	0	4.9	7.1	10	13	17	21	25	29	33	38	42	47	51	55	59	62	65	67	69	71
7.5 in	0	3.9	5.7	7.9	10	13	16	20	23	27	30	34	37	41	44	47	50	52	54	55	57

32295E

	Seed Rate Handle Setting																				
	0	5	10	15	20	25	30	35	40	45	50	55	60	65	70	75	80	85	90	95	100
Rows	Drive Type: 2																				
	Seed Rate in Pounds Per Acre (based on 48 pounds/bushel)																				
6 in.	0	10	15	20	27	34	42	51	60	69	78	87	96	105	113	120	127	133	139	142	145
7.5 in	0	8.0	12	16	22	27	34	41	48	55	62	70	77	84	90	96	102	107	111	114	116

32295E

	Seed Rate Handle Setting																				
	0	5	10	15	20	25	30	35	40	45	50	55	60	65	70	75	80	85	90	95	100
Rows	Drive Type: 3																				
	Seed Rate in Pounds Per Acre (based on 48 pounds/bushel)																				
6 in.	0	19	23	30	38	49	62	75	90	106	122	138	154	170	185	199	212	224	233	241	246
7.5 in	0	15	18	24	31	39	49	60	72	85	97	110	123	136	148	159	170	179	187	192	197

32295E

	Seed Rate Handle Setting																				
	0	5	10	15	20	25	30	35	40	45	50	55	60	65	70	75	80	85	90	95	100
Rows	Drive Type: 4																				
	Seed Rate in Pounds Per Acre (based on 48 pounds/bushel)																				
6 in.	0	30	37	48	63	80	100	123	147	172	199	225	251	277	302	325	346	364	380	392	401
7.5 in	0	24	30	39	50	64	80	98	118	138	159	180	201	222	241	260	277	292	304	314	320

32295E

Rate Charts, Main Seed Box, continued...

Buffalograss (*Buchloe dactyloides*)

	Seed Rate Handle Setting																				
	0	5	10	15	20	25	30	35	40	45	50	55	60	65	70	75	80	85	90	95	100
Rows	Drive Type: 1																				
	Seed Rate in Pounds Per Acre (based on 23 pounds/bushel)																				
6 in.	0	1.5	2.4	3.6	5.0	6.6	8.2	10	12	14	15	17	19	20	22	23	24	25	25	25	25
7.5 in	0	1.2	1.9	2.9	4.0	5.3	6.6	8.0	9.4	11	12	14	15	16	17	18	19	20	20	20	20

32296E

	Seed Rate Handle Setting																				
	0	5	10	15	20	25	30	35	40	45	50	55	60	65	70	75	80	85	90	95	100
Rows	Drive Type: 2																				
	Seed Rate in Pounds Per Acre (based on 23 pounds/bushel)																				
6 in.	0	3.0	5.0	7.5	10	13	17	21	24	28	32	35	39	42	45	47	49	51	51	52	51
7.5 in	0	2.4	4.0	6.0	8.3	11	14	16	19	22	25	28	31	33	36	38	39	40	41	41	41

32296E

	Seed Rate Handle Setting																				
	0	5	10	15	20	25	30	35	40	45	50	55	60	65	70	75	80	85	90	95	100
Rows	Drive Type: 3																				
	Seed Rate in Pounds Per Acre (based on 23 pounds/bushel)																				
6 in.	0	5.6	8.0	11	15	20	25	30	35	41	47	52	58	63	67	71	75	77	79	79	79
7.5 in	0	4.4	6.4	8.9	12	16	20	24	28	33	37	42	46	50	54	57	60	62	63	63	63

32296E

	Seed Rate Handle Setting																				
	0	5	10	15	20	25	30	35	40	45	50	55	60	65	70	75	80	85	90	95	100
Rows	Drive Type: 4																				
	Seed Rate in Pounds Per Acre (based on 23 pounds/bushel)																				
6 in.	0	9.1	13	18	25	32	40	49	58	67	76	85	94	102	110	116	122	126	128	129	128
7.5 in	0	7.2	10	15	20	26	32	39	46	54	61	68	75	82	88	93	97	101	103	103	103

32296E



Rate Charts, Main Seed Box, continued...

Bermuda Grass (*Cynodon dactylon*)

		Seed Rate Handle Setting																				
		0	5	10	15	20	25	30	35	40	45	50	55	60	65	70	75	80	85	90	95	100
Rows	Drive Type: 1	Seed Rate in Pounds Per Acre (based on 60 pounds/bushel)																				
6 in.		0	2.2	4.4	6.6	9.0	11	14	16	19	21	24	26	29	31	34	36	39	41	43	45	47
7.5 in		0	1.8	3.5	5.3	7.2	9.1	11	13	15	17	19	21	23	25	27	29	31	33	35	36	38

32294E

		Seed Rate Handle Setting																				
		0	5	10	15	20	25	30	35	40	45	50	55	60	65	70	75	80	85	90	95	100
Rows	Drive Type: 2	Seed Rate in Pounds Per Acre (based on 60 pounds/bushel)																				
6 in.		0	4.5	9.0	14	18	23	28	33	38	44	49	54	59	64	69	74	79	84	89	93	98
7.5 in		0	3.6	7.2	11	15	19	23	27	31	35	39	43	47	51	55	59	63	67	71	75	78

32294E

		Seed Rate Handle Setting																				
		0	5	10	15	20	25	30	35	40	45	50	55	60	65	70	75	80	85	90	95	100
Rows	Drive Type: 3	Seed Rate in Pounds Per Acre (based on 60 pounds/bushel)																				
6 in.		0	7.1	14	21	28	35	42	50	57	65	72	80	87	94	102	108	115	122	128	134	140
7.5 in		0	5.7	11	17	22	28	34	40	46	52	58	64	70	76	81	87	92	97	102	107	112

32294E

		Seed Rate Handle Setting																				
		0	5	10	15	20	25	30	35	40	45	50	55	60	65	70	75	80	85	90	95	100
Rows	Drive Type: 4	Seed Rate in Pounds Per Acre (based on 60 pounds/bushel)																				
6 in.		0	12	23	34	45	57	69	81	94	106	118	130	142	154	166	177	188	198	209	218	227
7.5 in		0	9.3	18	27	36	46	55	65	75	85	94	104	114	123	132	141	150	159	167	175	182

32294E

Rate Charts, Main Seed Box, continued...

K-31 Fescue (*Festuca*)

	Seed Rate Handle Setting																				
	0	5	10	15	20	25	30	35	40	45	50	55	60	65	70	75	80	85	90	95	100
Rows	Drive Type: 1																				
	Seed Rate in Pounds Per Acre (based on 21 pounds/bushel)																				
6 in.	0	2.4	3.6	5.0	6.4	8.0	10	11	13	15	16	18	19	21	22	24	25	26	27	28	28
7.5 in	0	1.9	2.9	4.0	5.2	6.4	7.7	9.0	10	12	13	14	16	17	18	19	20	21	21	22	23

32297E

	Seed Rate Handle Setting																				
	0	5	10	15	20	25	30	35	40	45	50	55	60	65	70	75	80	85	90	95	100
Rows	Drive Type: 2																				
	Seed Rate in Pounds Per Acre (based on 21 pounds/bushel)																				
6 in.	0	4.8	7.4	10	13	16	20	23	26	30	33	37	40	43	46	49	51	53	55	57	58
7.5 in	0	3.9	5.9	8.2	11	13	16	18	21	24	27	29	32	34	37	39	41	43	44	45	46

32297E

	Seed Rate Handle Setting																				
	0	5	10	15	20	25	30	35	40	45	50	55	60	65	70	75	80	85	90	95	100
Rows	Drive Type: 3																				
	Seed Rate in Pounds Per Acre (based on 21 pounds/bushel)																				
6 in.	0	8.3	12	15	20	24	29	34	39	44	49	54	59	64	68	73	77	80	84	86	88
7.5 in	0	6.6	9.3	12	16	19	23	27	31	35	39	43	47	51	55	58	61	64	67	69	70

32297E

	Seed Rate Handle Setting																				
	0	5	10	15	20	25	30	35	40	45	50	55	60	65	70	75	80	85	90	95	100
Rows	Drive Type: 4																				
	Seed Rate in Pounds Per Acre (based on 21 pounds/bushel)																				
6 in.	0	14	19	25	32	39	47	55	63	71	80	88	96	104	112	119	125	131	136	140	144
7.5 in	0	11	15	20	25	31	37	44	50	57	64	70	77	83	89	95	100	105	109	112	115

32297E

Rate Charts, Main Seed Box, continued...

**Flax (*Linum usitatissimum*) or Sudan
(*Sorghum bicolor* subsp. *drummondii*)**

	Seed Rate Handle Setting																				
	0	5	10	15	20	25	30	35	40	45	50	55	60	65	70	75	80	85	90	95	100
Rows	Drive Type: 1																				
	Seed Rate in Pounds Per Acre (based on 55 pounds/bushel)																				
6 in.	0	5.7	8.5	12	15	19	23	27	32	37	41	46	51	56	60	65	69	73	77	81	84
7.5 in	0	4.6	6.8	9.3	12	15	19	22	26	29	33	37	41	44	48	52	55	59	62	65	67

32298E

	Seed Rate Handle Setting																				
	0	5	10	15	20	25	30	35	40	45	50	55	60	65	70	75	80	85	90	95	100
Rows	Drive Type: 2																				
	Seed Rate in Pounds Per Acre (based on 55 pounds/bushel)																				
6 in.	0	12	17	24	31	39	48	56	66	75	85	95	105	114	124	133	142	151	159	166	173
7.5 in	0	9.4	14	19	25	31	38	45	53	60	68	76	84	91	99	107	114	121	127	133	139

32298E

	Seed Rate Handle Setting																				
	0	5	10	15	20	25	30	35	40	45	50	55	60	65	70	75	80	85	90	95	100
Rows	Drive Type: 3																				
	Seed Rate in Pounds Per Acre (based on 55 pounds/bushel)																				
6 in.	0	18	27	36	47	58	70	82	95	108	121	134	148	161	174	187	200	212	223	234	244
7.5 in	0	14	21	29	37	46	56	66	76	86	97	108	118	129	140	150	160	169	179	187	195

32298E

	Seed Rate Handle Setting																				
	0	5	10	15	20	25	30	35	40	45	50	55	60	65	70	75	80	85	90	95	100
Rows	Drive Type: 4																				
	Seed Rate in Pounds Per Acre (based on 55 pounds/bushel)																				
6 in.	0	29	43	59	76	94	113	134	154	176	197	219	241	263	284	305	326	345	364	381	397
7.5 in	0	23	35	47	61	75	91	107	124	141	158	175	193	210	228	244	261	276	291	305	318

32298E

Rate Charts, Main Seed Box, continued...

Eastern Gamma Grass - Pete
(*Tripsacum dactyloides*)

	Seed Rate Handle Setting																				
	0	5	10	15	20	25	30	35	40	45	50	55	60	65	70	75	80	85	90	95	100
Rows	Drive Type: 1										Seed Rate in Pounds Per Acre										
6 in.	0	4.8	6.6	8.8	11	14	17	20	23	27	30	33	36	39	42	45	47	49	51	52	53
7.5 in	0	3.8	5.3	7.0	9.0	11	14	16	19	21	24	26	29	31	34	36	38	40	41	42	43

32299E

	Seed Rate Handle Setting																				
	0	5	10	15	20	25	30	35	40	45	50	55	60	65	70	75	80	85	90	95	100
Rows	Drive Type: 2										Seed Rate in Pounds Per Acre										
6 in.	0	10	14	18	23	29	35	41	48	55	61	68	75	81	87	92	97	102	105	108	110
7.5 in	0	7.9	11	14	18	23	28	33	38	44	49	54	60	65	69	74	78	81	84	86	88

32299E

Rate Charts, Main Seed Box, continued...

Kentucky Blue Grass (*Poa pratensis*)

	Seed Rate Handle Setting																				
	0	5	10	15	20	25	30	35	40	45	50	55	60	65	70	75	80	85	90	95	100
Rows	Drive Type: 1																				
	Seed Rate in Pounds Per Acre (based on 23 pounds/bushel)																				
6 in.	0	1.8	2.6	3.6	4.7	5.8	7.0	8.3	10	11	12	14	15	16	18	19	20	21	22	22	23
7.5 in	0	1.5	2.1	2.9	3.7	4.6	5.6	6.7	7.7	8.8	10	11	12	13	14	15	16	17	17	18	18

32300E

	Seed Rate Handle Setting																				
	0	5	10	15	20	25	30	35	40	45	50	55	60	65	70	75	80	85	90	95	100
Rows	Drive Type: 2																				
	Seed Rate in Pounds Per Acre (based on 23 pounds/bushel)																				
6 in.	0	3.8	5.4	7.4	10	12	14	17	20	23	25	28	31	34	36	39	41	43	44	46	47
7.5 in	0	3.0	4.4	5.9	7.7	10	12	14	16	18	20	23	25	27	29	31	33	34	35	37	37

32300E

	Seed Rate Handle Setting																				
	0	5	10	15	20	25	30	35	40	45	50	55	60	65	70	75	80	85	90	95	100
Rows	Drive Type: 3																				
	Seed Rate in Pounds Per Acre (based on 23 pounds/bushel)																				
6 in.	0	6.1	9.0	12	15	19	23	26	30	34	38	41	45	49	52	55	59	61	64	66	68
7.5 in	0	4.8	7.2	10	12	15	18	21	24	27	30	33	36	39	42	44	47	49	51	53	55

32300E

	Seed Rate Handle Setting																				
	0	5	10	15	20	25	30	35	40	45	50	55	60	65	70	75	80	85	90	95	100
Rows	Drive Type: 4																				
	Seed Rate in Pounds Per Acre (based on 23 pounds/bushel)																				
6 in.	0	10	15	20	25	31	37	43	49	55	61	67	73	79	85	90	95	100	104	108	111
7.5 in	0	7.9	12	16	20	25	29	34	39	44	49	54	59	63	68	72	76	80	83	87	89

32300E

Rate Charts, Main Seed Box, continued...

Millet (*Pennisetum glaucum*, *Setaria italica*,
Panicum miliaceum, *Eleusine coracana*)

	Seed Rate Handle Setting																				
	0	5	10	15	20	25	30	35	40	45	50	55	60	65	70	75	80	85	90	95	100
Rows	Drive Type: 1																				
	Seed Rate in Pounds Per Acre (based on 60 pounds/bushel)																				
6 in.	0	6.0	8.5	11	15	18	22	26	31	35	40	44	49	53	57	61	65	69	72	75	77
7.5 in	0	4.8	6.8	9.2	12	15	18	21	25	28	32	35	39	42	46	49	52	55	58	60	62

32301E

	Seed Rate Handle Setting																				
	0	5	10	15	20	25	30	35	40	45	50	55	60	65	70	75	80	85	90	95	100
Rows	Drive Type: 2																				
	Seed Rate in Pounds Per Acre (based on 60 pounds/bushel)																				
6 in.	0	12	17	24	30	38	46	54	63	72	81	91	100	109	118	126	134	141	148	154	159
7.5 in	0	10	14	19	24	30	37	43	51	58	65	73	80	87	94	101	107	113	118	123	127

32301E

	Seed Rate Handle Setting																				
	0	5	10	15	20	25	30	35	40	45	50	55	60	65	70	75	80	85	90	95	100
Rows	Drive Type: 3																				
	Seed Rate in Pounds Per Acre (based on 60 pounds/bushel)																				
6 in.	0	17	25	35	45	57	69	82	95	109	123	136	150	164	177	189	201	212	222	231	239
7.5 in	0	14	20	28	36	45	55	65	76	87	98	109	120	131	141	151	161	170	178	185	191

32301E

	Seed Rate Handle Setting																				
	0	5	10	15	20	25	30	35	40	45	50	55	60	65	70	75	80	85	90	95	100
Rows	Drive Type: 4																				
	Seed Rate in Pounds Per Acre (based on 60 pounds/bushel)																				
6 in.	0	28	41	57	74	93	113	133	155	177	200	222	245	267	288	308	328	346	362	377	389
7.5 in	0	22	33	45	59	74	90	107	124	142	160	178	196	213	230	247	262	277	290	301	311

32301E



Rate Charts, Main Seed Box, continued...

Milo (Sorghum)

	Seed Rate Handle Setting																													
	0	5	10	15	20	25	30	35	40	45	50	55	60	65	70	75	80	85	90	95	100									
Rows	Drive Type: 1										Seed Rate in Pounds Per Acre										(based on 60 pounds/bushel)									
6 in.	0	5.7	8.9	13	17	22	27	33	38	44	50	57	63	69	74	80	85	90	94	98	101									
7.5 in	0	4.6	7.1	10	14	17	22	26	31	36	40	45	50	55	60	64	68	72	75	78	80									

32302E

	Seed Rate Handle Setting																													
	0	5	10	15	20	25	30	35	40	45	50	55	60	65	70	75	80	85	90	95	100									
Rows	Drive Type: 2										Seed Rate in Pounds Per Acre										(based on 60 pounds/bushel)									
6 in.	0	12	18	26	35	45	56	67	79	91	104	116	129	141	153	164	175	184	193	201	207									
7.5 in	0	9.4	15	21	28	36	44	54	63	73	83	93	103	113	122	131	140	148	154	160	165									

32302E

Rate Charts, Main Seed Box, continued...

Oats (*Avena sativa*)

	Seed Rate Handle Setting																				
	0	5	10	15	20	25	30	35	40	45	50	55	60	65	70	75	80	85	90	95	100
Rows	Drive Type: 1																				
	Seed Rate in Pounds Per Acre (based on 37 pounds/bushel)																				
6 in.	0	2.3	3.8	5.6	7.6	10	12	15	17	20	22	25	28	30	33	35	38	40	42	43	45
7.5 in	0	1.8	3.1	4.5	6.1	7.8	10	12	14	16	18	20	22	24	26	28	30	32	33	35	36

32303E

	Seed Rate Handle Setting																				
	0	5	10	15	20	25	30	35	40	45	50	55	60	65	70	75	80	85	90	95	100
Rows	Drive Type: 2																				
	Seed Rate in Pounds Per Acre (based on 37 pounds/bushel)																				
6 in.	0	4.6	7.8	12	16	20	25	30	35	41	46	52	57	62	68	73	77	82	86	89	92
7.5 in	0	3.7	6.3	9.2	13	16	20	24	28	32	37	41	46	50	54	58	62	65	69	71	74

32303E

	Seed Rate Handle Setting																				
	0	5	10	15	20	25	30	35	40	45	50	55	60	65	70	75	80	85	90	95	100
Rows	Drive Type: 3																				
	Seed Rate in Pounds Per Acre (based on 37 pounds/bushel)																				
6 in.	0	8.5	12	17	23	30	37	45	53	62	71	80	89	97	105	113	120	126	131	136	139
7.5 in	0	6.8	10	14	18	24	30	36	43	50	57	64	71	78	84	90	96	101	105	109	111

32303E

	Seed Rate Handle Setting																				
	0	5	10	15	20	25	30	35	40	45	50	55	60	65	70	75	80	85	90	95	100
Rows	Drive Type: 4																				
	Seed Rate in Pounds Per Acre (based on 37 pounds/bushel)																				
6 in.	0	14	20	28	38	48	60	73	87	101	116	130	144	158	172	184	195	206	214	221	226
7.5 in	0	11	16	22	30	39	48	59	70	81	93	104	115	127	137	147	156	164	171	177	181

32303E



Rate Charts, Main Seed Box, continued...

Orchard Grass Potomac (*Dactylis glomerata*)

		Seed Rate Handle Setting																				
		0	5	10	15	20	25	30	35	40	45	50	55	60	65	70	75	80	85	90	95	100
Rows	Drive Type: 1	Seed Rate in Pounds Per Acre (based on 18 pounds/bushel)																				
6 in.		0	1.4	1.9	2.6	3.3	4.2	5.1	6.2	7.3	8.4	10	11	12	13	14	15	16	17	17	18	18
7.5 in		0	1.1	1.5	2.0	2.7	3.3	4.1	4.9	5.8	6.7	7.6	8.5	9.4	10	11	12	13	13	14	14	15

32304E

		Seed Rate Handle Setting																				
		0	5	10	15	20	25	30	35	40	45	50	55	60	65	70	75	80	85	90	95	100
Rows	Drive Type: 2	Seed Rate in Pounds Per Acre (based on 18 pounds/bushel)																				
6 in.		0	2.9	3.9	5.2	6.8	8.6	11	13	15	17	20	22	24	26	29	31	32	34	36	37	38
7.5 in		0	2.3	3.1	4.2	5.5	6.9	8.5	10	12	14	16	18	19	21	23	25	26	27	28	29	30

32304E

		Seed Rate Handle Setting																				
		0	5	10	15	20	25	30	35	40	45	50	55	60	65	70	75	80	85	90	95	100
Rows	Drive Type: 3	Seed Rate in Pounds Per Acre (based on 18 pounds/bushel)																				
6 in.		0	4.1	5.7	7.6	10	12	15	18	21	24	28	31	34	37	41	44	46	49	51	53	55
7.5 in		0	3.3	4.6	6.1	7.9	10	12	14	17	20	22	25	27	30	32	35	37	39	41	43	44

32304E

		Seed Rate Handle Setting																				
		0	5	10	15	20	25	30	35	40	45	50	55	60	65	70	75	80	85	90	95	100
Rows	Drive Type: 4	Seed Rate in Pounds Per Acre (based on 18 pounds/bushel)																				
6 in.		0	6.8	9.3	12	16	20	25	30	35	40	45	51	56	61	66	71	76	80	84	87	90
7.5 in		0	5.4	7.4	10	13	16	20	24	28	32	36	40	45	49	53	57	61	64	67	70	72

32304E

Rate Charts, Main Seed Box, continued...

Peas (*Pisum sativum*)

	Seed Rate Handle Setting																								
	0	5	10	15	20	25	30	35	40	45	50	55	60	65	70	75	80	85	90	95	100				
Rows	Drive Type: 1					Seed Rate in Pounds Per Acre															(based on 61 pounds/bushel)				
6 in.	0	2.7	6.6	11	16	21	26	32	38	44	49	55	61	66	71	76	80	84	87	89	91				
7.5 in	0	2.1	5.2	8.7	13	17	21	26	30	35	40	44	49	53	57	61	64	67	70	72	73				

32305E

	Seed Rate Handle Setting																								
	0	5	10	15	20	25	30	35	40	45	50	55	60	65	70	75	80	85	90	95	100				
Rows	Drive Type: 2					Seed Rate in Pounds Per Acre															(based on 61 pounds/bushel)				
6 in.	0	5.5	13	22	32	43	54	66	78	90	102	113	125	136	146	156	165	172	179	184	188				
7.5 in	0	4.4	11	18	26	34	43	53	62	72	81	91	100	109	117	125	132	138	143	147	150				

32305E

	Seed Rate Handle Setting																								
	0	5	10	15	20	25	30	35	40	45	50	55	60	65	70	75	80	85	90	95	100				
Rows	Drive Type: 3					Seed Rate in Pounds Per Acre															(based on 61 pounds/bushel)				
6 in.	0	4.0	15	28	41	56	72	89	106	123	140	156	173	189	203	217	229	240	249	256	261				
7.5 in	0	3.2	12	22	33	45	58	71	84	98	112	125	138	151	163	174	184	192	199	205	209				

32305E

	Seed Rate Handle Setting																								
	0	5	10	15	20	25	30	35	40	45	50	55	60	65	70	75	80	85	90	95	100				
Rows	Drive Type: 4					Seed Rate in Pounds Per Acre															(based on 61 pounds/bushel)				
6 in.	0	6.5	25	45	68	92	118	145	172	200	228	255	282	307	332	354	374	392	407	418	426				
7.5 in	0	5.2	20	36	54	74	94	116	138	160	182	204	225	246	265	283	299	313	325	334	341				

32305E



Rate Charts, Main Seed Box, continued...

Pinto Beans (*Phaseolus vulgaris*)

		Seed Rate Handle Setting																				
		0	5	10	15	20	25	30	35	40	45	50	55	60	65	70	75	80	85	90	95	100
Rows	Drive Type: 1	Seed Rate in Pounds Per Acre (based on 61 pounds/bushel)																				
6 in.		0	5.2	8.5	13	17	22	28	34	40	46	52	58	64	70	76	80	85	89	92	94	95
7.5 in.		0	4.1	6.8	10	14	18	22	27	32	37	42	47	52	56	60	64	68	71	73	75	76

32306E

		Seed Rate Handle Setting																				
		0	5	10	15	20	25	30	35	40	45	50	55	60	65	70	75	80	85	90	95	100
Rows	Drive Type: 2	Seed Rate in Pounds Per Acre (based on 61 pounds/bushel)																				
6 in.		0	11	18	26	35	46	57	69	82	95	107	120	132	144	155	165	175	182	189	193	196
7.5 in.		0	8.5	14	21	28	37	46	56	65	76	86	96	106	115	124	132	140	146	151	155	157

32306E

		Seed Rate Handle Setting																				
		0	5	10	15	20	25	30	35	40	45	50	55	60	65	70	75	80	85	90	95	100
Rows	Drive Type: 3	Seed Rate in Pounds Per Acre (based on 61 pounds/bushel)																				
6 in.		0	18	27	39	52	67	83	101	119	137	155	174	192	209	225	240	254	266	276	283	288
7.5 in.		0	14	22	31	42	54	67	81	95	109	124	139	153	167	180	192	203	213	221	227	231

32306E

		Seed Rate Handle Setting																				
		0	5	10	15	20	25	30	35	40	45	50	55	60	65	70	75	80	85	90	95	100
Rows	Drive Type: 4	Seed Rate in Pounds Per Acre (based on 61 pounds/bushel)																				
6 in.		0	29	44	63	85	110	136	164	193	223	253	283	312	340	367	392	414	433	449	462	470
7.5 in.		0	23	35	51	68	88	109	131	155	178	203	226	250	272	294	313	331	347	360	369	376

32306E

Rate Charts, Main Seed Box, continued...

Rape (*Brassica napus*)

	Seed Rate Handle Setting																				
	0	5	10	15	20	25	30	35	40	45	50	55	60	65	70	75	80	85	90	95	100
Rows	Drive Type: 1																				
	Seed Rate in Pounds Per Acre (based on 51 pounds/bushel)																				
6 in.	0	5.2	7.8	11	14	17	20	24	28	31	35	39	43	47	50	54	58	61	64	68	70
7.5 in	0	4.2	6.2	8.5	11	14	16	19	22	25	28	31	34	37	40	43	46	49	52	54	56

32307E

	Seed Rate Handle Setting																				
	0	5	10	15	20	25	30	35	40	45	50	55	60	65	70	75	80	85	90	95	100
Rows	Drive Type: 2																				
	Seed Rate in Pounds Per Acre (based on 51 pounds/bushel)																				
6 in.	0	11	16	22	28	35	42	49	57	64	72	80	88	96	104	111	119	126	132	139	145
7.5 in	0	8.6	13	18	23	28	34	39	45	52	58	64	70	77	83	89	95	101	106	111	116

32307E

	Seed Rate Handle Setting																				
	0	5	10	15	20	25	30	35	40	45	50	55	60	65	70	75	80	85	90	95	100
Rows	Drive Type: 3																				
	Seed Rate in Pounds Per Acre (based on 51 pounds/bushel)																				
6 in.	0	17	23	31	39	49	59	70	82	93	105	117	129	141	153	164	174	184	193	201	207
7.5 in	0	13	18	25	31	39	47	56	65	75	84	94	104	113	122	131	139	147	154	161	166

32307E

	Seed Rate Handle Setting																				
	0	5	10	15	20	25	30	35	40	45	50	55	60	65	70	75	80	85	90	95	100
Rows	Drive Type: 4																				
	Seed Rate in Pounds Per Acre (based on 51 pounds/bushel)																				
6 in.	0	27	38	50	64	80	96	114	133	152	172	191	211	230	249	267	284	300	314	327	338
7.5 in	0	22	30	40	51	64	77	91	106	122	137	153	169	184	199	214	227	240	252	262	271

32307E

Rate Charts, Main Seed Box, continued...

Rice, Long Grain (*Oryza sativa indica*)

	Seed Rate Handle Setting																				
	0	5	10	15	20	25	30	35	40	45	50	55	60	65	70	75	80	85	90	95	100
Rows	Drive Type: 1																				
	Seed Rate in Pounds Per Acre (based on 47 pounds/bushel)																				
6 in.	0	1.1	4.1	7.2	10	14	17	20	24	27	30	33	36	39	42	44	46	48	50	52	53
7.5 in	0	0.9	3.3	5.8	8.3	11	14	16	19	21	24	26	29	31	33	35	37	39	40	41	42

32308E

	Seed Rate Handle Setting																				
	0	5	10	15	20	25	30	35	40	45	50	55	60	65	70	75	80	85	90	95	100
Rows	Drive Type: 2																				
	Seed Rate in Pounds Per Acre (based on 47 pounds/bushel)																				
6 in.	0	2.2	8.4	15	21	28	35	42	48	55	62	68	74	80	85	91	95	99	103	106	108
7.5 in	0	1.8	6.7	12	17	22	28	33	39	44	49	54	59	64	68	72	76	79	82	85	87

32308E

	Seed Rate Handle Setting																				
	0	5	10	15	20	25	30	35	40	45	50	55	60	65	70	75	80	85	90	95	100
Rows	Drive Type: 3																				
	Seed Rate in Pounds Per Acre (based on 47 pounds/bushel)																				
6 in.	0	3.7	13	22	32	41	50	60	69	79	88	97	107	115	124	133	141	149	156	163	170
7.5 in	0	3.0	10	18	25	33	40	48	56	63	71	78	85	92	99	106	113	119	125	130	136

32308E

	Seed Rate Handle Setting																				
	0	5	10	15	20	25	30	35	40	45	50	55	60	65	70	75	80	85	90	95	100
Rows	Drive Type: 4																				
	Seed Rate in Pounds Per Acre (based on 47 pounds/bushel)																				
6 in.	0	6.1	21	36	51	67	82	98	113	129	144	159	174	188	202	216	229	242	254	266	277
7.5 in	0	4.9	17	29	41	53	66	78	91	103	115	127	139	151	162	173	183	194	203	213	221

32308E

Rate Charts, Main Seed Box, continued...

Rice, Short Grain (*Oryza sativa japonica*,
Oryza sativa sinica)

	Seed Rate Handle Setting																				
	0	5	10	15	20	25	30	35	40	45	50	55	60	65	70	75	80	85	90	95	100
Rows	Drive Type: 1																				
	Seed Rate in Pounds Per Acre (based on 43 pounds/bushel)																				
6 in.	0	3.1	5.8	8.6	12	15	18	21	25	28	32	35	39	42	45	48	51	53	55	57	59
7.5 in	0	2.5	4.6	6.9	9.3	12	14	17	20	23	25	28	31	33	36	38	40	42	44	46	47

32309E

	Seed Rate Handle Setting																				
	0	5	10	15	20	25	30	35	40	45	50	55	60	65	70	75	80	85	90	95	100
Rows	Drive Type: 2																				
	Seed Rate in Pounds Per Acre (based on 43 pounds/bushel)																				
6 in.	0	6.4	12	18	24	30	37	44	51	58	65	72	79	86	92	98	104	109	114	118	121
7.5 in	0	5.2	9.5	14	19	24	30	35	41	47	52	58	63	69	74	79	83	87	91	94	97

32309E

	Seed Rate Handle Setting																				
	0	5	10	15	20	25	30	35	40	45	50	55	60	65	70	75	80	85	90	95	100
Rows	Drive Type: 3																				
	Seed Rate in Pounds Per Acre (based on 43 pounds/bushel)																				
6 in.	0	14	20	27	35	44	53	64	74	85	96	107	117	128	137	146	154	160	166	170	173
7.5 in	0	11	16	21	28	35	43	51	59	68	77	85	94	102	110	117	123	128	133	136	138

32309E

	Seed Rate Handle Setting																				
	0	5	10	15	20	25	30	35	40	45	50	55	60	65	70	75	80	85	90	95	100
Rows	Drive Type: 4																				
	Seed Rate in Pounds Per Acre (based on 43 pounds/bushel)																				
6 in.	0	22	32	43	57	71	87	104	121	139	157	174	191	208	223	238	251	262	271	277	281
7.5 in	0	18	26	35	45	57	70	83	97	111	125	139	153	166	179	190	200	209	217	222	225

32309E

Rate Charts, Main Seed Box, continued...

Rye (*Secale cereale*)

		Seed Rate Handle Setting																				
		0	5	10	15	20	25	30	35	40	45	50	55	60	65	70	75	80	85	90	95	100
Rows	Drive Type: 1	Seed Rate in Pounds Per Acre (based on 57 pounds/bushel)																				
6 in.		0	4.8	8.3	12	17	22	28	33	39	45	52	58	64	70	76	81	86	91	95	99	102
7.5 in.		0	3.8	6.6	10	14	18	22	27	31	36	41	46	51	56	61	65	69	73	76	79	81

32310E

		Seed Rate Handle Setting																				
		0	5	10	15	20	25	30	35	40	45	50	55	60	65	70	75	80	85	90	95	100
Rows	Drive Type: 2	Seed Rate in Pounds Per Acre (based on 57 pounds/bushel)																				
6 in.		0	10	17	26	35	45	57	68	81	93	106	119	131	144	156	167	177	187	195	203	209
7.5 in.		0	7.8	14	20	28	36	45	55	65	75	85	95	105	115	124	133	142	149	156	162	167

32310E

		Seed Rate Handle Setting																				
		0	5	10	15	20	25	30	35	40	45	50	55	60	65	70	75	80	85	90	95	100
Rows	Drive Type: 3	Seed Rate in Pounds Per Acre (based on 57 pounds/bushel)																				
6 in.		0	17	27	39	52	67	84	101	120	139	158	177	197	216	235	253	270	285	300	312	323
7.5 in.		0	13	21	31	42	54	67	81	96	111	126	142	157	173	188	202	216	228	240	250	259

32310E

		Seed Rate Handle Setting																				
		0	5	10	15	20	25	30	35	40	45	50	55	60	65	70	75	80	85	90	95	100
Rows	Drive Type: 4	Seed Rate in Pounds Per Acre (based on 57 pounds/bushel)																				
6 in.		0	27	44	63	85	110	137	165	195	226	257	289	321	352	383	412	439	465	489	509	527
7.5 in.		0	22	35	50	68	88	109	132	156	181	206	231	257	282	306	329	352	372	391	407	422

32310E

Rate Charts, Main Seed Box, continued...

Perennial Rye Grass - Palmer
(*Lolium perenne*, *Lolium multiflorum*)

	Seed Rate Handle Setting																													
	0	5	10	15	20	25	30	35	40	45	50	55	60	65	70	75	80	85	90	95	100									
Rows	Drive Type: 1										Seed Rate in Pounds Per Acre										(based on 36 pounds/bushel)									
6 in.	0	3.0	4.4	6.1	7.9	10	12	14	17	19	21	24	26	28	30	32	34	36	37	38	39									
7.5 in	0	2.4	3.6	4.9	6.3	7.9	10	11	13	15	17	19	21	22	24	26	27	29	30	31	31									

32311E

	Seed Rate Handle Setting																													
	0	5	10	15	20	25	30	35	40	45	50	55	60	65	70	75	80	85	90	95	100									
Rows	Drive Type: 2										Seed Rate in Pounds Per Acre										(based on 36 pounds/bushel)									
6 in.	0	6.2	9.1	13	16	20	25	29	34	39	44	48	53	58	62	66	70	73	76	79	81									
7.5 in	0	4.9	7.3	10	13	16	20	23	27	31	35	39	42	46	50	53	56	59	61	63	65									

32311E

	Seed Rate Handle Setting																													
	0	5	10	15	20	25	30	35	40	45	50	55	60	65	70	75	80	85	90	95	100									
Rows	Drive Type: 3										Seed Rate in Pounds Per Acre										(based on 36 pounds/bushel)									
6 in.	0	12	15	19	24	30	36	43	51	59	67	76	84	92	99	106	112	117	121	124	126									
7.5 in	0	10	12	15	19	24	29	35	41	47	54	61	67	73	79	85	90	94	97	99	101									

32311E

	Seed Rate Handle Setting																													
	0	5	10	15	20	25	30	35	40	45	50	55	60	65	70	75	80	85	90	95	100									
Rows	Drive Type: 4										Seed Rate in Pounds Per Acre										(based on 36 pounds/bushel)									
6 in.	0	20	24	31	39	48	59	71	83	97	110	124	137	150	162	173	183	191	198	203	205									
7.5 in	0	16	19	24	31	38	47	57	67	77	88	99	109	120	129	138	146	153	158	162	164									

32311E



Rate Charts, Main Seed Box, continued...

Soybeans (*Glycine max*)

	Seed Rate Handle Setting																				
	0	5	10	15	20	25	30	35	40	45	50	55	60	65	70	75	80	85	90	95	100
Rows	Drive Type: 1																				
	Seed Rate in Pounds Per Acre (based on 58 pounds/bushel)																				
6 in.	0	5.0	8.7	13	17	22	27	33	38	44	50	55	61	66	71	76	80	84	88	91	93
7.5 in	0	4.0	6.9	10	14	18	22	26	31	35	40	44	49	53	57	61	64	67	70	72	74

32312E

	Seed Rate Handle Setting																				
	0	5	10	15	20	25	30	35	40	45	50	55	60	65	70	75	80	85	90	95	100
Rows	Drive Type: 2																				
	Seed Rate in Pounds Per Acre (based on 58 pounds/bushel)																				
6 in.	0	10	18	26	36	46	56	68	79	91	102	114	125	136	147	156	165	173	180	186	191
7.5 in	0	8.3	14	21	29	37	45	54	63	73	82	91	100	109	117	125	132	139	144	149	152

32312E

	Seed Rate Handle Setting																				
	0	5	10	15	20	25	30	35	40	45	50	55	60	65	70	75	80	85	90	95	100
Rows	Drive Type: 3																				
	Seed Rate in Pounds Per Acre (based on 58 pounds/bushel)																				
6 in.	0	14	26	39	53	68	84	100	116	133	149	166	182	198	213	227	241	254	265	276	284
7.5 in	0	11	21	31	43	55	67	80	93	106	120	133	146	158	170	182	193	203	212	220	228

32312E

	Seed Rate Handle Setting																				
	0	5	10	15	20	25	30	35	40	45	50	55	60	65	70	75	80	85	90	95	100
Rows	Drive Type: 4																				
	Seed Rate in Pounds Per Acre (based on 58 pounds/bushel)																				
6 in.	0	22	42	64	87	112	137	163	190	217	244	270	297	322	347	371	393	414	433	449	464
7.5 in	0	18	34	51	70	89	110	131	152	173	195	216	237	258	278	297	314	331	346	359	371

32312E

Rate Charts, Main Seed Box, continued...

Sunflower (*Helianthus annuus*)

	Seed Rate Handle Setting																				
	0	5	10	15	20	25	30	35	40	45	50	55	60	65	70	75	80	85	90	95	100
Rows	Drive Type: 1																				
	Seed Rate in Pounds Per Acre (based on 28 pounds/bushel)																				
6 in.	0	0.4	2.1	3.9	6.0	8.1	10	13	15	17	20	22	25	27	29	31	33	35	37	39	40
7.5 in	0	0.3	1.7	3.2	4.8	6.5	8.3	10	12	14	16	18	20	22	23	25	27	28	30	31	32

32313E

	Seed Rate Handle Setting																				
	0	5	10	15	20	25	30	35	40	45	50	55	60	65	70	75	80	85	90	95	100
Rows	Drive Type: 2																				
	Seed Rate in Pounds Per Acre (based on 28 pounds/bushel)																				
6 in.	0	0.8	4.3	8.1	12	17	21	26	31	36	41	46	51	55	60	65	69	73	76	79	82
7.5 in	0	0.6	3.4	6.5	10	13	17	21	25	29	33	37	41	44	48	52	55	58	61	64	66

32313E

	Seed Rate Handle Setting																				
	0	5	10	15	20	25	30	35	40	45	50	55	60	65	70	75	80	85	90	95	100
Rows	Drive Type: 3																				
	Seed Rate in Pounds Per Acre (based on 28 pounds/bushel)																				
6 in.	0	3.1	6.8	11	16	22	28	34	41	48	55	62	69	76	83	89	95	100	105	109	113
7.5 in	0	2.5	5.4	9.0	13	17	22	27	33	38	44	50	55	61	66	71	76	80	84	88	90

32313E

	Seed Rate Handle Setting																				
	0	5	10	15	20	25	30	35	40	45	50	55	60	65	70	75	80	85	90	95	100
Rows	Drive Type: 4																				
	Seed Rate in Pounds Per Acre (based on 28 pounds/bushel)																				
6 in.	0	5.1	11	18	26	36	46	56	67	78	90	101	113	124	135	145	155	164	172	179	184
7.5 in	0	4.1	8.9	15	21	28	36	45	54	63	72	81	90	99	108	116	124	131	137	143	147

32313E



Rate Charts, Main Seed Box, continued...

Tiffany Teff, Coated (*Eragrostis tef*)

	Seed Rate Handle Setting																				
	0	5	10	15	20	25	30	35	40	45	50	55	60	65	70	75	80	85	90	95	100
Rows	Drive Type: 1																				
	Seed Rate in Pounds Per Acre (based on 65 pounds/bushel)																				
6 in.	0	5.0	7.9	11	14	18	22	26	30	35	39	44	49	54	58	63	68	73	77	82	86
7.5 in	0	4.0	6.3	8.8	12	14	18	21	24	28	31	35	39	43	47	51	54	58	62	65	69

32314E

	Seed Rate Handle Setting																				
	0	5	10	15	20	25	30	35	40	45	50	55	60	65	70	75	80	85	90	95	100
Rows	Drive Type: 2																				
	Seed Rate in Pounds Per Acre (based on 65 pounds/bushel)																				
6 in.	0	10	16	23	30	37	45	54	62	72	81	90	100	110	120	130	140	149	159	168	177
7.5 in	0	8.3	13	18	24	30	36	43	50	57	65	72	80	88	96	104	112	119	127	134	142

32314E

	Seed Rate Handle Setting																				
	0	5	10	15	20	25	30	35	40	45	50	55	60	65	70	75	80	85	90	95	100
Rows	Drive Type: 3																				
	Seed Rate in Pounds Per Acre (based on 65 pounds/bushel)																				
6 in.	0	15	24	34	44	56	68	80	94	107	121	136	150	165	180	195	209	224	238	252	266
7.5 in	0	12	19	27	36	45	54	64	75	86	97	109	120	132	144	156	167	179	190	202	212

32314E

	Seed Rate Handle Setting																				
	0	5	10	15	20	25	30	35	40	45	50	55	60	65	70	75	80	85	90	95	100
Rows	Drive Type: 4																				
	Seed Rate in Pounds Per Acre (based on 65 pounds/bushel)																				
6 in.	0	25	39	55	72	91	111	131	153	175	198	221	245	269	293	317	341	365	388	411	433
7.5 in	0	20	32	44	58	73	88	105	122	140	158	177	196	215	235	254	273	292	311	329	346

32314E

Rate Charts, Main Seed Box, continued...

Wheat (*Triticum*)

	Seed Rate Handle Setting																				
	0	5	10	15	20	25	30	35	40	45	50	55	60	65	70	75	80	85	90	95	100
Rows	Drive Type: 1																				
	Seed Rate in Pounds Per Acre (based on 64 pounds/bushel)																				
6 in.	0	8.9	11	14	18	22	27	32	38	44	50	56	62	68	74	80	85	90	94	97	99
7.5 in	0	7.1	8.9	11	14	18	22	26	30	35	40	45	50	55	59	64	68	72	75	78	80

32315E

	Seed Rate Handle Setting																				
	0	5	10	15	20	25	30	35	40	45	50	55	60	65	70	75	80	85	90	95	100
Rows	Drive Type: 2																				
	Seed Rate in Pounds Per Acre (based on 64 pounds/bushel)																				
6 in.	0	18	23	29	37	46	56	67	78	91	103	116	128	141	153	164	175	184	192	199	204
7.5 in	0	15	18	23	29	37	45	53	63	72	82	93	103	113	122	131	140	147	154	159	164

32315E

	Seed Rate Handle Setting																				
	0	5	10	15	20	25	30	35	40	45	50	55	60	65	70	75	80	85	90	95	100
Rows	Drive Type: 3																				
	Seed Rate in Pounds Per Acre (based on 64 pounds/bushel)																				
6 in.	0	23	32	43	55	69	84	101	117	135	152	170	188	205	221	237	252	265	277	287	296
7.5 in	0	18	26	34	44	55	68	80	94	108	122	136	150	164	177	190	201	212	222	230	236

32315E

	Seed Rate Handle Setting																				
	0	5	10	15	20	25	30	35	40	45	50	55	60	65	70	75	80	85	90	95	100
Rows	Drive Type: 4																				
	Seed Rate in Pounds Per Acre (based on 64 pounds/bushel)																				
6 in.	0	38	52	70	90	113	138	164	191	220	248	277	306	334	361	387	411	432	452	468	482
7.5 in	0	30	42	56	72	90	110	131	153	176	199	222	245	267	289	309	329	346	362	375	385

32315E

Rate Charts, Main Seed Box, continued...

**Wheatgrass (*Pascopyrum smithii*,
Agropyron elongatum)**

	Seed Rate Handle Setting																				
	0	5	10	15	20	25	30	35	40	45	50	55	60	65	70	75	80	85	90	95	100
Rows	Drive Type: 1																				
	Seed Rate in Pounds Per Acre (based on 23 pounds/bushel)																				
6 in.	0	1.2	2.1	3.0	4.0	5.0	6.1	7.2	8.3	9.4	11	12	13	14	15	16	17	18	19	20	20
7.5 in	0	0.9	1.7	2.4	3.2	4.0	4.9	5.8	6.6	7.5	8.4	9.3	10	11	12	13	14	14	15	16	16

32316E

	Seed Rate Handle Setting																				
	0	5	10	15	20	25	30	35	40	45	50	55	60	65	70	75	80	85	90	95	100
Rows	Drive Type: 2																				
	Seed Rate in Pounds Per Acre (based on 23 pounds/bushel)																				
6 in.	0	2.4	4.2	6.2	8.2	10	13	15	17	19	22	24	26	28	31	33	35	37	39	40	42
7.5 in	0	1.9	3.4	4.9	6.6	8.3	10	12	14	15	17	19	21	23	25	26	28	29	31	32	33

32316E

	Seed Rate Handle Setting																				
	0	5	10	15	20	25	30	35	40	45	50	55	60	65	70	75	80	85	90	95	100
Rows	Drive Type: 3																				
	Seed Rate in Pounds Per Acre (based on 23 pounds/bushel)																				
6 in.	0	4.3	6.7	9.3	12	15	18	21	25	28	32	35	39	42	45	48	51	54	56	59	61
7.5 in	0	3.5	5.3	7.4	10	12	15	17	20	23	25	28	31	33	36	39	41	43	45	47	49

32316E

	Seed Rate Handle Setting																				
	0	5	10	15	20	25	30	35	40	45	50	55	60	65	70	75	80	85	90	95	100
Rows	Drive Type: 4																				
	Seed Rate in Pounds Per Acre (based on 23 pounds/bushel)																				
6 in.	0	7.1	11	15	20	25	30	35	40	46	52	57	63	68	74	79	83	88	92	96	99
7.5 in	0	5.7	8.7	12	16	20	24	28	32	37	41	46	50	55	59	63	67	70	74	77	79

32316E

Small Seeds Rate

Seeding rate from the optional Small Seeds Attachment is controlled entirely by the seed rate handle on the small seeds box. No sprocket changes are required, and small seeds rate is unaffected by settings for main seed box and optional Native Grass.

Refer to Figure 8

To set Small Seeds rate, loosen the wing nut ① at the handle. Move the lever ② until the indicator is about 10 higher than the intended setting, then return it to that setting. Tighten nut.

Set the initial rate based on the charts starting on page 36.

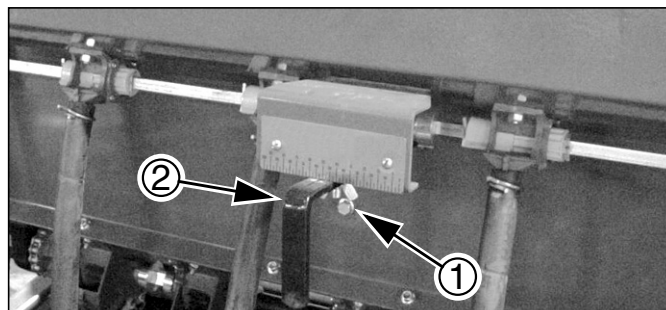


Figure 8
Small Seeds Rate Handle

32634

Small Seeds Rate Calibration

Differences will exist between the tested seed and field conditions used to generate the Small Seeds Rate Charts, and your seed and conditions. To accurately achieve your target population, Land Pride recommends calibrating.

Due to the large number of crank revolutions per acre (786 or 982) and per hectare (1942 or 2427), a practical calibration is a simulation of $\frac{1}{10}$ th acre or $\frac{1}{10}$ th hectare.

1. Estimate the sample sizes.

$$RateSample = \frac{FieldRate}{10}$$

$$SamplePerRow = \frac{RateSample}{RowCount}$$

$$ExpectedSample = SamplePerRow \times SampledRows$$

2. To perform this calibration, you need a scale that is accurate near the aggregate sample size, and three (3) light weight containers, each capable of holding a row's sample.
3. Raise the drill so the gauge wheel is out of ground contact.
4. Remove the calibration crank from its storage stob. Store the retaining pin on the stob.

Example: You want to apply alfalfa at 12 pounds per acre with a 3P600 7.5 in. drill. *RateSample* is:

$$1.2 = \frac{12}{10}$$

Example: the drill has 9 rows.

SamplePerRow is:

$$0.133 = \frac{1.2}{9}$$

Example: 3 rows are to be used in the sampling.

ExpectedSample is:

$$0.40 = 0.133 \times 3$$

The expected sample weight is 0.4 lb.

Example: 3 containers each weighing 0.23 lb or:

$$0.70 \text{ lb total}$$

Refer to Figure 9

5. Place the hex socket of the crank on the left end of the main jackshaft.
6. Pull the small seed hoses off the top of three opener seed tubes, at the top of the openers. Place the hoses into each sample container.

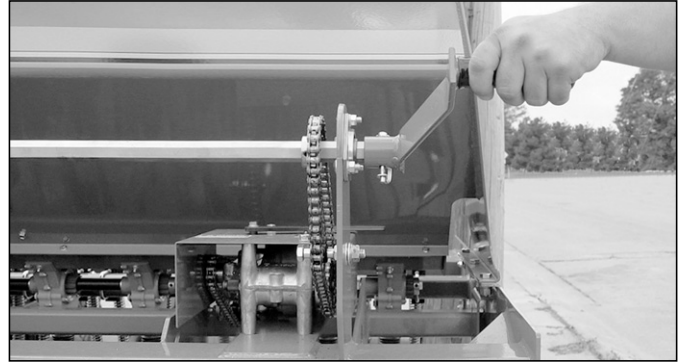


Figure 9 32793
Calibration Crank

7. If not already done, set the Small Seeds Rate Handle.
8. Load seed above the rows to be sampled. Load well more than the expected sample size.
9. Rotate the crank several turns to ensure that the drives and seed cups are engaged, working properly, free from foreign material, and that seed is flowing steadily from the meters. Stop.
10. Note the current reading of the acremeter, unless removed or you do not plan to rely on it for the calibration.
11. Empty the sample containers back into the seed box, and place them back under the three hoses to gather metered seed.
12. Turn crank at a steady rate until one tenth acre is tallied on acremeter, or for the number of rotations from the table at right. While turning, check that cups have ample seed coming into them.

Example: on the 3P600 7.5 in. drill, planting alfalfa at 12 pounds/ac has an initial small seeds rate handle setting of:
60

Calibration Revolutions

Drill Model	Rotations Per ...			
	Acre	1/10 th ac.	Hectare	1/10 th ha
3P500				
Crank	982	98.2	2427	243
Tire	1752	175	4329	433

Drill Model	Rotations Per ...			
	Acre	1/10 th ac.	Hectare	1/10 th ha
3P500V				
Crank	982	98.2	2427	243
Tire	1752	175	4329	433

Drill Model	Rotations Per ...			
	Acre	1/10 th ac.	Hectare	1/10 th ha
3P600				
Crank	786	78.6	1942	194
Tire	1402	140	3464	346

32366

13. Weigh metered material. Subtract initial weight of container(s).

$$NetWeight = GrossWeight - ContainerWeights$$

Example:
the three containers weighed a total of 1.13 pounds after test: 0.43 lbs net
 $0.43 = 1.13 - 0.70$

14. Divide the net material weight by three. Multiply by number of openers on your drill, and then by ten, to determine the total of pounds per acre applied.

$$MeasuredRate = \frac{NetWeight}{3} \times RowCount \times 10$$

Example: 10.0 lbs/ac
 $12.8 = \frac{0.43}{3} \times 9 \times 10$

15. Divide the desired original field rate by the measured rate to calculate a scale adjustment factor.

$$CorrectionFactor = \frac{FieldRate}{MeasuredRate}$$

Example: the target rate was 12 lbs/ac:
the correction factor =1.2
 $0.94 = \frac{12}{12.8}$

16. Multiply the scale setting just used times correction factor to obtain the next scale setting to use.

$$\text{NextScale} = \text{PreviousScale} \times \text{CorrectionFactor}$$

17. Set the Small Seeds Rate Handle to the new scale setting.
18. You may want to repeat calibration procedure at the new setting if your results varied greatly from the Seed Rate Chart, or if you must operate near the ends of the Seed Rate handle scale (0-20 or 90-100).
19. Check that your tire(s) is (are) properly inflated. See “**Tire Inflation Chart**” in Operator’s manual.
20. With calibration complete, store calibration crank, re-engage hub if locked-out, reinstall any removed chains or sprockets, reconnect seed hoses and re-install acremeter (if removed - tighten only to snug).

When drilling, check seeding rate by noting acres drilled, amount of seed added to drill and seed level in drill box. If you are seeding more or less than desired, adjust rate slightly to compensate for field conditions.

Small Seeds Row Shut-Off

If alternate row spacing is required for small seeds, optional plugs are available to block flow inside the seed box tray.

1. Clean-out seed. The seed box must be empty prior to inserting plugs. See “**Small Seeds Box Clean-Out**” in Operator’s manual.
2. Before installing plugs, inspect the seed boxes for existing factory-installed plugs. These are blocking extra unused seed ports. You may want to identify these plugs with an indelible marker.
3. Insert one plug at each row to shut off. Verify the seed hose path before inserting the plug, as some hoses do not make a strictly vertical drop to their row units.
4. Review seed rate settings prior to planting. Perform calibration calculations with the actual active row count.

When removing plugs to restore rows to operation, be sure to not disturb a factory-installed plug.

Example: the previous scale setting was 60, the next scale setting is 56

$$56 = 60 \times 0.94$$

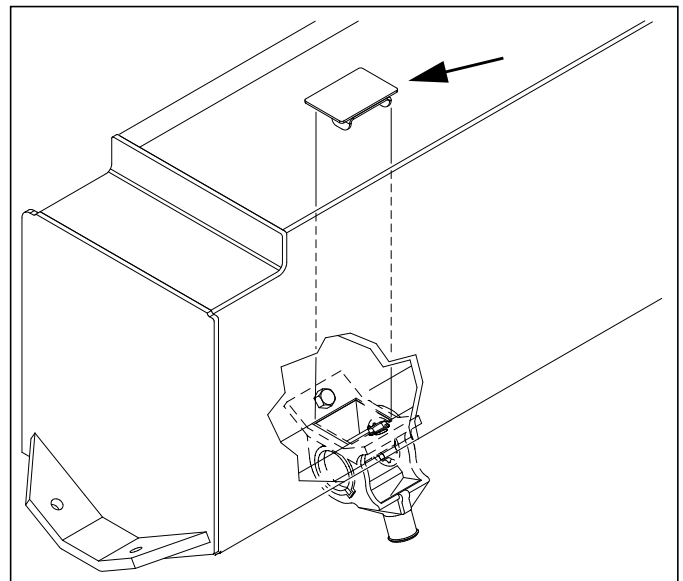


Figure 10
Small Seeds Tube Plug

27407

Small Seeds Rate Charts

U.S customary units. Metric charts begin on page 64.

Alfalfa, Red Alsike, Crimson Clover

	Small Seeds Cup Lever Setting																				
	0	5	10	15	20	25	30	35	40	45	50	55	60	65	70	75	80	85	90	95	100
Rows	Seeding Rate in Pounds per Acre																				
6 inch	0	0.0	2.2	3.5	4.8	6.0	7.5	8.7	9.8	11.2	12.5	13.8	15.1	16.4	17.5	18.6	20.2	21.4	22.9	24.0	25.2
7.5 inch	0	0.0	1.8	2.8	3.9	4.8	6.0	7.0	7.9	9.0	10.0	11.1	12.1	13.2	14.0	15.3	16.2	17.2	18.3	19.3	20.3

Kentucky Bluegrass, Fescue, Annual Rye Grass

	Small Seeds Cup Lever Setting																				
	0	5	10	15	20	25	30	35	40	45	50	55	60	65	70	75	80	85	90	95	100
Rows	Seeding Rate in Pounds per Acre																				
6 inch	0	0.0	0.2	1.2	1.9	2.7	3.3	4.1	4.6	5.2	5.8	6.3	6.8	7.3	7.8	8.3	8.8	9.2	9.7	10.0	10.5
7.5 inch	0	0.0	0.2	.9	1.5	2.2	2.7	3.3	3.7	4.2	4.6	5.1	5.5	5.9	6.3	6.7	7.0	7.4	7.7	8.1	8.4

Bermuda, Red Top, Lespedeza Unhulled, Sercia, Sand, Weeping Love Grass

	Small Seeds Cup Lever Setting																				
	0	5	10	15	20	25	30	35	40	45	50	55	60	65	70	75	80	85	90	95	100
Rows	Seeding Rate in Pounds per Acre																				
6 inch	0	0.0	0.7	1.1	1.7	2.6	3.3	4.1	5.0	5.9	6.6	7.2	7.8	8.4	9.0	9.5	10.2	10.9	11.6	12.2	12.9
7.5 inch	0	0.0	0.5	0.9	1.4	2.1	2.6	3.3	4.0	4.7	5.3	5.8	6.3	6.7	7.2	7.6	8.2	8.8	9.3	9.8	10.4

Red & Sweet Clover, Lespedeza Hulled

	Small Seeds Cup Lever Setting																				
	0	5	10	15	20	25	30	35	40	45	50	55	60	65	70	75	80	85	90	95	100
Rows	Seeding Rate in Pounds per Acre																				
6 inch	0	0.0	1.5	3.4	5.2	7.1	9.0	11.3	13.2	15.3	17.0	19.0	20.8	22.5	24.5	26.4	28.3	30.1	32.1	33.8	35.6
7.5 inch	0	0.0	1.2	2.7	4.2	5.7	7.2	9.1	10.6	12.3	13.7	15.3	16.7	18.1	19.7	21.2	22.7	24.2	25.8	27.2	28.6

Orchard Grass

	Small Seeds Cup Lever Setting																				
	0	5	10	15	20	25	30	35	40	45	50	55	60	65	70	75	80	85	90	95	100
Rows	Seeding Rate in Pounds per Acre																				
6 inch	0	0.0	0.0	0.3	0.7	.9	1.3	1.5	2.0	2.4	2.8	3.3	3.5	3.9	4.4	4.8	5.0	5.5	5.7	6.1	6.3
7.5 inch	0	0.0	0.0	0.2	0.5	0.7	1.1	1.2	1.6	1.9	2.3	2.6	2.8	3.2	3.5	3.9	4.0	4.4	4.6	4.9	5.1

Rate Charts, Small Seeds Box, continued...

Millet, Reed Canary

	Small Seeds Cup Lever Setting																				
	0	5	10	15	20	25	30	35	40	45	50	55	60	65	70	75	80	85	90	95	100
Rows	Seeding Rate in Pounds per Acre																				
6 inch	0	0.4	1.4	2.4	3.5	4.4	5.5	6.5	7.5	8.5	9.5	10.5	11.5	12.5	13.6	14.6	15.6	16.6	17.6	18.5	19.0
7.5 inch	0	0.3	1.2	2.0	2.8	3.6	4.4	5.2	6.0	6.8	7.6	8.4	9.3	10.1	10.9	11.7	12.5	13.3	14.1	14.9	15.1

**Ladino Clover, Canary Grass,
Timothy, Canola**

	Small Seeds Cup Lever Setting																				
	0	5	10	15	20	25	30	35	40	45	50	55	60	65	70	75	80	85	90	95	100
Rows	Seeding Rate in Pounds per Acre																				
6 inch	0	0.0	1.1	2.1	3.3	4.7	6.1	7.6	9.2	10.7	12.2	13.8	15.5	17.0	18.5	20.3	21.7	23.4	25.4	27.3	29.2
7.5 inch	0	0.0	0.9	1.6	2.6	3.9	4.9	6.1	7.4	8.6	9.8	11.1	12.5	13.7	14.9	16.3	17.6	18.8	20.4	21.9	23.5

Birdsfoot, Trefoil, Sudan

	Small Seeds Cup Lever Setting																				
	0	5	10	15	20	25	30	35	40	45	50	55	60	65	70	75	80	85	90	95	100
Rows	Seeding Rate in Pounds per Acre																				
6 inch	0	0.0	1.7	3.3	5.2	6.8	8.7	10.7	12.7	14.7	16.8	19.2	21.2	23.4	25.6	28.0	29.9	32.1	34.2	36.3	38.4
7.5 inch	0	0.0	1.4	2.6	4.2	5.4	7.0	8.6	10.2	11.9	13.5	15.4	17.0	18.8	20.5	22.5	24.0	25.8	27.6	29.1	30.9

Appendix

Metric Rate Charts, Main Seed Box

See page 2 for instructions.
Charts in U.S. customary units begin on page 7.

Alfalfa (*Medicago sativa*)

		Seed Rate Handle Setting																				
		0	5	10	15	20	25	30	35	40	45	50	55	60	65	70	75	80	85	90	95	100
Rows	Drive Type: 1	Seed Rate in Kilograms Per Hectare (based on 0.77 kg/litre)																				
15.2 cm		0	6.4	9.4	13	17	21	25	30	35	40	45	50	55	60	66	71	76	80	85	89	93
19.1 cm		0	5.2	7.5	10	13	16	20	24	28	32	36	40	44	48	52	57	61	64	68	71	74

32291F

		Seed Rate Handle Setting																				
		0	5	10	15	20	25	30	35	40	45	50	55	60	65	70	75	80	85	90	95	100
Rows	Drive Type: 2	Seed Rate in Kilograms Per Hectare (based on 0.77 kg/litre)																				
15.2 cm		0	13	19	26	34	42	51	61	71	81	92	103	113	124	135	145	155	165	174	183	191
19.1 cm		0	11	15	21	27	34	41	49	57	65	74	82	91	99	108	116	124	132	140	146	153

32291F

		Seed Rate Handle Setting																				
		0	5	10	15	20	25	30	35	40	45	50	55	60	65	70	75	80	85	90	95	100
Rows	Drive Type: 3	Seed Rate in Kilograms Per Hectare (based on 0.77 kg/litre)																				
15.2 cm		0	21	30	40	52	64	77	91	106	121	136	151	167	182	197	212	226	240	253	265	275
19.1 cm		0	17	24	32	41	51	62	73	85	97	109	121	134	146	158	170	181	192	202	212	220

32291F

		Seed Rate Handle Setting																				
		0	5	10	15	20	25	30	35	40	45	50	55	60	65	70	75	80	85	90	95	100
Rows	Drive Type: 4	Seed Rate in Kilograms Per Hectare (based on 0.77 kg/litre)																				
15.2 cm		0	35	49	66	84	104	126	149	172	197	222	247	272	297	322	346	369	391	412	431	449
19.1 cm		0	28	40	53	67	84	101	119	138	157	177	197	218	238	258	277	295	313	330	345	359

32291F

Metric Rate Charts, Main Seed Box, continued...

Bahia Grass (*Paspalum notatum*)

	Seed Rate Handle Setting																								
	0	5	10	15	20	25	30	35	40	45	50	55	60	65	70	75	80	85	90	95	100				
Rows	Drive Type: 1					Seed Rate in Kilograms Per Hectare															(based on 0.51 kg/litre)				
15.2 cm	0	3.0	4.3	6.3	8.9	12	15	19	24	28	33	37	42	47	52	56	60	64	68	71	73				
19.1 cm	0	2.4	3.5	5.1	7.1	10	12	16	19	22	26	30	34	38	41	45	48	51	54	57	59				

32292F

	Seed Rate Handle Setting																								
	0	5	10	15	20	25	30	35	40	45	50	55	60	65	70	75	80	85	90	95	100				
Rows	Drive Type: 2					Seed Rate in Kilograms Per Hectare															(based on 0.51 kg/litre)				
15.2 cm	0	6.2	8.9	13	18	25	32	40	49	58	67	77	87	96	106	115	124	132	139	145	150				
19.1 cm	0	5.0	7.1	10	15	20	25	32	39	46	54	62	69	77	85	92	99	105	111	116	120				

32292F

	Seed Rate Handle Setting																								
	0	5	10	15	20	25	30	35	40	45	50	55	60	65	70	75	80	85	90	95	100				
Rows	Drive Type: 3					Seed Rate in Kilograms Per Hectare															(based on 0.51 kg/litre)				
15.2 cm	0	9.3	13	19	27	37	48	60	73	86	101	115	130	145	159	173	186	198	208	218	226				
19.1 cm	0	7.5	11	16	22	29	38	48	58	69	81	92	104	116	127	138	148	158	167	174	181				

32292F

	Seed Rate Handle Setting																								
	0	5	10	15	20	25	30	35	40	45	50	55	60	65	70	75	80	85	90	95	100				
Rows	Drive Type: 4					Seed Rate in Kilograms Per Hectare															(based on 0.51 kg/litre)				
15.2 cm	0	15	22	32	45	60	78	97	119	141	164	188	212	236	259	281	303	322	340	355	368				
19.1 cm	0	12	17	25	36	48	62	78	95	113	131	150	170	189	207	225	242	258	272	284	294				

32292F

Metric Rate Charts, Main Seed Box, continued...

Barley (*Hordeum vulgare*)

	Seed Rate Handle Setting																								
	0	5	10	15	20	25	30	35	40	45	50	55	60	65	70	75	80	85	90	95	100				
Rows	Drive Type: 1					Seed Rate in Kilograms Per Hectare															(based on 0.66 kg/litre)				
15.2 cm	0	6.6	8.8	12	15	19	24	28	33	38	44	49	54	59	64	68	72	75	78	80	82				
19.1 cm	0	5.3	7.1	9.4	12	15	19	23	27	31	35	39	43	47	51	54	58	60	62	64	65				

32293F

	Seed Rate Handle Setting																								
	0	5	10	15	20	25	30	35	40	45	50	55	60	65	70	75	80	85	90	95	100				
Rows	Drive Type: 2					Seed Rate in Kilograms Per Hectare															(based on 0.66 kg/litre)				
15.2 cm	0	14	18	24	31	40	49	58	69	79	90	101	111	121	131	140	148	155	161	165	168				
19.1 cm	0	11	15	19	25	32	39	47	55	63	72	80	89	97	105	112	118	124	128	132	134				

32293F

	Seed Rate Handle Setting																								
	0	5	10	15	20	25	30	35	40	45	50	55	60	65	70	75	80	85	90	95	100				
Rows	Drive Type: 3					Seed Rate in Kilograms Per Hectare															(based on 0.66 kg/litre)				
15.2 cm	0	19	27	37	48	60	73	87	101	116	131	147	162	177	192	206	219	231	242	252	260				
19.1 cm	0	15	22	29	38	48	58	69	81	93	105	117	130	142	153	165	175	185	194	202	208				

32293F

	Seed Rate Handle Setting																								
	0	5	10	15	20	25	30	35	40	45	50	55	60	65	70	75	80	85	90	95	100				
Rows	Drive Type: 4					Seed Rate in Kilograms Per Hectare															(based on 0.66 kg/litre)				
15.2 cm	0	31	44	60	78	98	119	142	165	190	214	239	264	289	312	335	357	377	395	411	425				
19.1 cm	0	25	36	48	62	78	95	113	132	152	171	191	211	231	250	268	285	301	316	329	340				

32293F

Metric Rate Charts, Main Seed Box, continued...

Buckwheat (*Fagopyrum esculentum*)

	Seed Rate Handle Setting																				
	0	5	10	15	20	25	30	35	40	45	50	55	60	65	70	75	80	85	90	95	100
Rows	Drive Type: 1																				
	Seed Rate in Kilograms Per Hectare (based on 0.62 kg/litre)																				
15.2 cm	0	5.5	8.0	11	15	19	23	28	33	37	42	47	52	57	62	66	69	73	76	78	79
19.1 cm	0	4.4	6.4	8.9	12	15	18	22	26	30	34	38	42	46	49	53	56	58	60	62	63

32295F

	Seed Rate Handle Setting																				
	0	5	10	15	20	25	30	35	40	45	50	55	60	65	70	75	80	85	90	95	100
Rows	Drive Type: 2																				
	Seed Rate in Kilograms Per Hectare (based on 0.62 kg/litre)																				
15.2 cm	0	11	16	23	30	38	47	57	67	77	87	98	108	117	126	135	143	150	155	160	163
19.1 cm	0	9.0	13	18	24	31	38	46	53	62	70	78	86	94	101	108	114	120	124	128	130

32295F

	Seed Rate Handle Setting																				
	0	5	10	15	20	25	30	35	40	45	50	55	60	65	70	75	80	85	90	95	100
Rows	Drive Type: 3																				
	Seed Rate in Kilograms Per Hectare (based on 0.62 kg/litre)																				
15.2 cm	0	21	26	33	43	55	69	84	101	119	137	155	173	191	207	223	238	251	261	270	275
19.1 cm	0	17	20	26	34	44	55	68	81	95	109	124	138	152	166	179	190	200	209	216	220

32295F

	Seed Rate Handle Setting																				
	0	5	10	15	20	25	30	35	40	45	50	55	60	65	70	75	80	85	90	95	100
Rows	Drive Type: 4																				
	Seed Rate in Kilograms Per Hectare (based on 0.62 kg/litre)																				
15.2 cm	0	34	42	54	70	90	113	138	165	193	223	252	282	311	338	364	388	409	426	440	449
19.1 cm	0	27	33	43	56	72	90	110	132	155	178	202	225	249	271	291	310	327	341	352	359

32295F

Metric Rate Charts, Main Seed Box, continued...

Buffalograss (*Buchloe dactyloides*)

	Seed Rate Handle Setting																				
	0	5	10	15	20	25	30	35	40	45	50	55	60	65	70	75	80	85	90	95	100
Rows	Drive Type: 1																				
	Seed Rate in Kilograms Per Hectare (based on 0.30 kg/litre)																				
15.2 cm	0	5.5	8.0	11	15	19	23	28	33	37	42	47	52	57	62	66	69	73	76	78	79
19.1 cm	0	4.4	6.4	8.9	12	15	18	22	26	30	34	38	42	46	49	53	56	58	60	62	63

32296F

	Seed Rate Handle Setting																				
	0	5	10	15	20	25	30	35	40	45	50	55	60	65	70	75	80	85	90	95	100
Rows	Drive Type: 2																				
	Seed Rate in Kilograms Per Hectare (based on 0.30 kg/litre)																				
15.2 cm	0	11	16	23	30	38	47	57	67	77	87	98	108	117	126	135	143	150	155	160	163
19.1 cm	0	9.0	13	18	24	31	38	46	53	62	70	78	86	94	101	108	114	120	124	128	130

32296F

	Seed Rate Handle Setting																				
	0	5	10	15	20	25	30	35	40	45	50	55	60	65	70	75	80	85	90	95	100
Rows	Drive Type: 3																				
	Seed Rate in Kilograms Per Hectare (based on 0.30 kg/litre)																				
15.2 cm	0	21	26	33	43	55	69	84	101	119	137	155	173	191	207	223	238	251	261	270	275
19.1 cm	0	17	20	26	34	44	55	68	81	95	109	124	138	152	166	179	190	200	209	216	220

32296F

	Seed Rate Handle Setting																				
	0	5	10	15	20	25	30	35	40	45	50	55	60	65	70	75	80	85	90	95	100
Rows	Drive Type: 4																				
	Seed Rate in Kilograms Per Hectare (based on 0.30 kg/litre)																				
15.2 cm	0	34	42	54	70	90	113	138	165	193	223	252	282	311	338	364	388	409	426	440	449
19.1 cm	0	27	33	43	56	72	90	110	132	155	178	202	225	249	271	291	310	327	341	352	359

32296F

Metric Rate Charts, Main Seed Box, continued...

Bermuda Grass (*Cynodon dactylon*)

	Seed Rate Handle Setting																								
	0	5	10	15	20	25	30	35	40	45	50	55	60	65	70	75	80	85	90	95	100				
Rows	Drive Type: 1					Seed Rate in Kilograms Per Hectare															(based on 0.77 kg/litre)				
15.2 cm	0	2.5	4.9	7.4	10	13	15	18	21	24	27	29	32	35	38	41	43	46	48	51	53				
19.1 cm	0	2.0	3.9	6.0	8.0	10	12	15	17	19	21	24	26	28	30	32	35	37	39	41	43				

32294F

	Seed Rate Handle Setting																								
	0	5	10	15	20	25	30	35	40	45	50	55	60	65	70	75	80	85	90	95	100				
Rows	Drive Type: 2					Seed Rate in Kilograms Per Hectare															(based on 0.77 kg/litre)				
15.2 cm	0	5.1	10	15	21	26	32	37	43	49	55	60	66	72	78	83	89	94	99	104	109				
19.1 cm	0	4.0	8.1	12	17	21	25	30	34	39	44	48	53	58	62	67	71	75	80	84	88				

32294F

	Seed Rate Handle Setting																								
	0	5	10	15	20	25	30	35	40	45	50	55	60	65	70	75	80	85	90	95	100				
Rows	Drive Type: 3					Seed Rate in Kilograms Per Hectare															(based on 0.77 kg/litre)				
15.2 cm	0	8.0	16	23	31	39	48	56	64	73	81	89	98	106	114	122	129	136	143	150	156				
19.1 cm	0	6.4	12	19	25	31	38	45	51	58	65	72	78	85	91	97	103	109	115	120	125				

32294F

	Seed Rate Handle Setting																								
	0	5	10	15	20	25	30	35	40	45	50	55	60	65	70	75	80	85	90	95	100				
Rows	Drive Type: 4					Seed Rate in Kilograms Per Hectare															(based on 0.77 kg/litre)				
15.2 cm	0	13	25	38	51	64	78	91	105	119	132	146	159	173	186	198	211	222	234	245	255				
19.1 cm	0	10	20	30	41	51	62	73	84	95	106	117	127	138	148	159	168	178	187	196	204				

32294F

Metric Rate Charts, Main Seed Box, continued...

K-31 Fescue (*Festuca*)

	Seed Rate Handle Setting																								
	0	5	10	15	20	25	30	35	40	45	50	55	60	65	70	75	80	85	90	95	100				
Rows	Drive Type: 1					Seed Rate in Kilograms Per Hectare															(based on 0.27 kg/litre)				
15.2 cm	0	2.6	4.0	5.6	7.2	9.0	11	13	14	16	18	20	22	23	25	27	28	29	30	31	32				
19.1 cm	0	2.1	3.2	4.5	5.8	7.2	8.6	10	12	13	15	16	17	19	20	21	22	23	24	25	25				

32297F

	Seed Rate Handle Setting																								
	0	5	10	15	20	25	30	35	40	45	50	55	60	65	70	75	80	85	90	95	100				
Rows	Drive Type: 2					Seed Rate in Kilograms Per Hectare															(based on 0.27 kg/litre)				
15.2 cm	0	5.4	8.3	11	15	18	22	26	30	34	37	41	45	48	52	55	57	60	62	64	65				
19.1 cm	0	4.3	6.7	9.2	12	15	18	21	24	27	30	33	36	39	41	44	46	48	50	51	52				

32297F

	Seed Rate Handle Setting																								
	0	5	10	15	20	25	30	35	40	45	50	55	60	65	70	75	80	85	90	95	100				
Rows	Drive Type: 3					Seed Rate in Kilograms Per Hectare															(based on 0.27 kg/litre)				
15.2 cm	0	9.3	13	17	22	27	32	38	43	49	55	61	66	72	77	82	86	90	94	96	99				
19.1 cm	0	7.4	10	14	18	22	26	30	35	39	44	48	53	57	61	65	69	72	75	77	79				

32297F

	Seed Rate Handle Setting																								
	0	5	10	15	20	25	30	35	40	45	50	55	60	65	70	75	80	85	90	95	100				
Rows	Drive Type: 4					Seed Rate in Kilograms Per Hectare															(based on 0.27 kg/litre)				
15.2 cm	0	15	21	28	36	44	52	61	71	80	89	99	108	117	125	133	140	147	153	157	161				
19.1 cm	0	12	17	22	29	35	42	49	57	64	72	79	86	93	100	106	112	118	122	126	129				

32297F

Metric Rate Charts, Main Seed Box, continued...

**Flax (*Linum usitatissimum*) or Sudan
(*Sorghum bicolor* subsp. *drummondii*)**

	Seed Rate Handle Setting																				
	0	5	10	15	20	25	30	35	40	45	50	55	60	65	70	75	80	85	90	95	100
Rows	Drive Type: 1																				
	Seed Rate in Kilograms Per Hectare (based on 0.71 kg/litre)																				
15.2 cm	0	6.4	10	13	17	21	26	31	36	41	46	52	57	62	68	73	78	82	87	91	95
19.1 cm	0	5.1	7.6	10	14	17	21	25	29	33	37	41	46	50	54	58	62	66	69	73	76

32298F

	Seed Rate Handle Setting																				
	0	5	10	15	20	25	30	35	40	45	50	55	60	65	70	75	80	85	90	95	100
Rows	Drive Type: 2																				
	Seed Rate in Kilograms Per Hectare (based on 0.71 kg/litre)																				
15.2 cm	0	13	20	27	35	44	53	63	74	84	95	106	117	128	139	149	159	169	178	187	194
19.1 cm	0	11	16	22	28	35	43	51	59	67	76	85	94	102	111	119	128	135	143	149	155

32298F

	Seed Rate Handle Setting																				
	0	5	10	15	20	25	30	35	40	45	50	55	60	65	70	75	80	85	90	95	100
Rows	Drive Type: 3																				
	Seed Rate in Kilograms Per Hectare (based on 0.71 kg/litre)																				
15.2 cm	0	20	30	41	52	65	78	92	106	121	136	151	166	181	196	210	224	237	250	262	273
19.1 cm	0	16	24	32	42	52	62	73	85	97	109	121	133	145	156	168	179	190	200	210	219

32298F

	Seed Rate Handle Setting																				
	0	5	10	15	20	25	30	35	40	45	50	55	60	65	70	75	80	85	90	95	100
Rows	Drive Type: 4																				
	Seed Rate in Kilograms Per Hectare (based on 0.71 kg/litre)																				
15.2 cm	0	33	49	66	85	106	127	150	173	197	221	246	270	295	319	342	365	387	408	427	445
19.1 cm	0	26	39	53	68	85	102	120	138	158	177	197	216	236	255	274	292	310	326	342	356

32298F

Metric Rate Charts, Main Seed Box, continued...

Eastern Gamma Grass - Pete
(*Tripsacum dactyloides*)

Rows	Seed Rate Handle Setting																				
	0	5	10	15	20	25	30	35	40	45	50	55	60	65	70	75	80	85	90	95	100
	Drive Type: 1																				
	Seed Rate in Kilograms Per Hectare																				
15.2 cm	0	5.4	7.4	10	13	16	19	22	26	30	33	37	41	44	47	50	53	55	57	59	60
19.1 cm	0	4.3	5.9	7.9	10	13	15	18	21	24	27	30	33	35	38	40	42	44	46	47	48

32299F

Rows	Seed Rate Handle Setting																				
	0	5	10	15	20	25	30	35	40	45	50	55	60	65	70	75	80	85	90	95	100
	Drive Type: 2																				
	Seed Rate in Kilograms Per Hectare																				
15.2 cm	0	11	15	20	26	32	39	46	54	61	69	76	84	91	97	104	109	114	118	121	123
19.1 cm	0	8.8	12	16	21	26	31	37	43	49	55	61	67	73	78	83	87	91	94	97	98

32299F

Rate Charts, Main Seed Box, continued...

Kentucky Blue Grass (*Poa pratensis*)

Rows	Seed Rate Handle Setting																				
	0	5	10	15	20	25	30	35	40	45	50	55	60	65	70	75	80	85	90	95	100
	Drive Type: 1																				
	Seed Rate in Kilograms Per Hectare (based on 0.30 kg/litre)																				
15.2 cm	0	6.4	10	13	17	21	26	31	36	41	46	52	57	62	68	73	78	82	87	91	95
19.1 cm	0	5.1	7.6	10	14	17	21	25	29	33	37	41	46	50	54	58	62	66	69	73	76

32300F

Rows	Seed Rate Handle Setting																				
	0	5	10	15	20	25	30	35	40	45	50	55	60	65	70	75	80	85	90	95	100
	Drive Type: 2																				
	Seed Rate in Kilograms Per Hectare (based on 0.30 kg/litre)																				
15.2 cm	0	13	20	27	35	44	53	63	74	84	95	106	117	128	139	149	159	169	178	187	194
19.1 cm	0	11	16	22	28	35	43	51	59	67	76	85	94	102	111	119	128	135	143	149	155

32300F

Rows	Seed Rate Handle Setting																				
	0	5	10	15	20	25	30	35	40	45	50	55	60	65	70	75	80	85	90	95	100
	Drive Type: 3																				
	Seed Rate in Kilograms Per Hectare (based on 0.30 kg/litre)																				
15.2 cm	0	20	30	41	52	65	78	92	106	121	136	151	166	181	196	210	224	237	250	262	273
19.1 cm	0	16	24	32	42	52	62	73	85	97	109	121	133	145	156	168	179	190	200	210	219

32300F

Rows	Seed Rate Handle Setting																				
	0	5	10	15	20	25	30	35	40	45	50	55	60	65	70	75	80	85	90	95	100
	Drive Type: 4																				
	Seed Rate in Kilograms Per Hectare (based on 0.30 kg/litre)																				
15.2 cm	0	33	49	66	85	106	127	150	173	197	221	246	270	295	319	342	365	387	408	427	445
19.1 cm	0	26	39	53	68	85	102	120	138	158	177	197	216	236	255	274	292	310	326	342	356

32300F

Metric Rate Charts, Main Seed Box, continued...

Millet (*Pennisetum glaucum*, *Setaria italica*,
Panicum miliaceum, *Eleusine coracana*)

	Seed Rate Handle Setting																				
	0	5	10	15	20	25	30	35	40	45	50	55	60	65	70	75	80	85	90	95	100
Rows	Drive Type: 1 Seed Rate in Kilograms Per Hectare (based on 0.77 kg/litre)																				
15.2 cm	0	6.7	10	13	17	21	25	30	34	39	44	49	54	59	64	69	73	77	81	84	87
19.1 cm	0	5.3	7.6	10	13	17	20	24	28	31	36	40	44	47	51	55	58	62	65	67	69

32301F

	Seed Rate Handle Setting																				
	0	5	10	15	20	25	30	35	40	45	50	55	60	65	70	75	80	85	90	95	100
Rows	Drive Type: 2 Seed Rate in Kilograms Per Hectare (based on 0.77 kg/litre)																				
15.2 cm	0	14	20	26	34	42	51	61	71	81	91	102	112	122	132	141	150	158	166	173	178
19.1 cm	0	11	16	21	27	34	41	49	57	65	73	81	89	98	105	113	120	127	133	138	143

32301F

	Seed Rate Handle Setting																				
	0	5	10	15	20	25	30	35	40	45	50	55	60	65	70	75	80	85	90	95	100
Rows	Drive Type: 3 Seed Rate in Kilograms Per Hectare (based on 0.77 kg/litre)																				
15.2 cm	0	19	28	39	51	64	77	92	107	122	137	153	168	183	198	212	225	238	249	259	268
19.1 cm	0	15	23	31	41	51	62	73	85	98	110	122	135	147	158	170	180	190	199	207	214

32301F

	Seed Rate Handle Setting																				
	0	5	10	15	20	25	30	35	40	45	50	55	60	65	70	75	80	85	90	95	100
Rows	Drive Type: 4 Seed Rate in Kilograms Per Hectare (based on 0.77 kg/litre)																				
15.2 cm	0	31	46	64	83	104	126	150	174	199	224	249	274	299	323	346	367	388	406	422	436
19.1 cm	0	25	37	51	66	83	101	120	139	159	179	199	219	239	258	277	294	310	325	338	349

32301F

Metric Rate Charts, Main Seed Box, continued...

Milo (*Sorghum*)

	Seed Rate Handle Setting																			
	0	5	10	15	20	25	30	35	40	45	50	55	60	65	70	75	80	85	90	95
Rows	Drive Type: 1																			
	Seed Rate in Kilograms Per Hectare (based on 0.77 kg)																			
15.2 cm	0	6.4	10	14	19	24	30	37	43	50	57	63	70	77	83	90	95	101	105	109
19.1 cm	0	5.1	7.9	11	15	20	24	29	34	40	45	51	56	62	67	72	76	80	84	87

3.

	Seed Rate Handle Setting																			
	0	5	10	15	20	25	30	35	40	45	50	55	60	65	70	75	80	85	90	95
Rows	Drive Type: 2																			
	Seed Rate in Kilograms Per Hectare (based on 0.77 kg)																			
15.2 cm	0	13	20	29	39	50	62	75	88	102	116	130	144	158	171	184	196	207	216	225
19.1 cm	0	11	16	23	31	40	50	60	71	82	93	104	116	127	137	147	157	165	173	180

Metric Rate Charts, Main Seed Box, continued...

Oats (*Avena sativa*)

		Seed Rate Handle Setting																				
		0	5	10	15	20	25	30	35	40	45	50	55	60	65	70	75	80	85	90	95	100
Rows	Drive Type: 1	Seed Rate in Kilograms Per Hectare (based on 0.48 kg/litre)																				
15.2 cm		0	2.5	4.3	6.3	8.5	11	14	16	19	22	25	28	31	34	37	40	42	45	47	49	50
19.1 cm		0	2.0	3.4	5.0	6.8	8.8	11	13	15	18	20	22	25	27	29	32	34	36	37	39	40

32303F

		Seed Rate Handle Setting																				
		0	5	10	15	20	25	30	35	40	45	50	55	60	65	70	75	80	85	90	95	100
Rows	Drive Type: 2	Seed Rate in Kilograms Per Hectare (based on 0.48 kg/litre)																				
15.2 cm		0	5.2	8.8	13	18	23	28	34	39	45	52	58	64	70	76	81	87	92	96	100	104
19.1 cm		0	4.2	7.0	10	14	18	22	27	32	36	41	46	51	56	61	65	69	73	77	80	83

32303F

		Seed Rate Handle Setting																				
		0	5	10	15	20	25	30	35	40	45	50	55	60	65	70	75	80	85	90	95	100
Rows	Drive Type: 3	Seed Rate in Kilograms Per Hectare (based on 0.48 kg/litre)																				
15.2 cm		0	10	14	19	26	33	42	50	60	70	79	89	99	109	118	126	134	141	147	152	156
19.1 cm		0	7.7	11	15	21	27	33	40	48	56	64	72	79	87	94	101	107	113	118	122	124

32303F

		Seed Rate Handle Setting																				
		0	5	10	15	20	25	30	35	40	45	50	55	60	65	70	75	80	85	90	95	100
Rows	Drive Type: 4	Seed Rate in Kilograms Per Hectare (based on 0.48 kg/litre)																				
15.2 cm		0	16	23	31	42	54	68	82	98	113	130	146	162	177	192	206	219	230	240	248	254
19.1 cm		0	12	18	25	34	43	54	66	78	91	104	117	129	142	154	165	175	184	192	198	203

32303F

Metric Rate Charts, Main Seed Box, continued...

Orchard Grass Potomac (*Dactylis glomerata*)

	Seed Rate Handle Setting																								
	0	5	10	15	20	25	30	35	40	45	50	55	60	65	70	75	80	85	90	95	100				
Rows	Drive Type: 1					Seed Rate in Kilograms Per Hectare															(based on 0.23 kg/litre)				
15.2 cm	0	1.6	2.1	2.9	3.7	4.7	5.8	6.9	8.1	9.4	11	12	13	14	16	17	18	19	19	20	20				
19.1 cm	0	1.3	1.7	2.3	3.0	3.8	4.6	5.5	6.5	7.5	8.5	10	11	12	12	13	14	15	16	16	16				

32304F

	Seed Rate Handle Setting																								
	0	5	10	15	20	25	30	35	40	45	50	55	60	65	70	75	80	85	90	95	100				
Rows	Drive Type: 2					Seed Rate in Kilograms Per Hectare															(based on 0.23 kg/litre)				
15.2 cm	0	3.2	4.4	5.9	7.6	10	12	14	17	19	22	25	27	30	32	34	36	38	40	41	42				
19.1 cm	0	2.6	3.5	4.7	6.1	7.7	9.5	11	13	15	18	20	22	24	26	27	29	31	32	33	34				

32304F

	Seed Rate Handle Setting																								
	0	5	10	15	20	25	30	35	40	45	50	55	60	65	70	75	80	85	90	95	100				
Rows	Drive Type: 3					Seed Rate in Kilograms Per Hectare															(based on 0.23 kg/litre)				
15.2 cm	0	4.6	6.4	8.6	11	14	17	20	24	27	31	35	38	42	46	49	52	55	57	60	62				
19.1 cm	0	3.7	5.1	6.8	8.9	11	14	16	19	22	25	28	31	34	36	39	42	44	46	48	49				

32304F

	Seed Rate Handle Setting																								
	0	5	10	15	20	25	30	35	40	45	50	55	60	65	70	75	80	85	90	95	100				
Rows	Drive Type: 4					Seed Rate in Kilograms Per Hectare															(based on 0.23 kg/litre)				
15.2 cm	0	7.6	10	14	18	23	28	33	39	45	51	57	63	69	74	80	85	90	94	97	100				
19.1 cm	0	6.1	8.3	11	14	18	22	26	31	36	40	45	50	55	59	64	68	72	75	78	80				

32304F

Metric Rate Charts, Main Seed Box, continued...

Peas (*Pisum sativum*)

	Seed Rate Handle Setting																				
	0	5	10	15	20	25	30	35	40	45	50	55	60	65	70	75	80	85	90	95	100
Rows	Drive Type: 1																				
	Seed Rate in Kilograms Per Hectare (based on 0.79 kg/litre)																				
15.2 cm	0	3.0	7.3	12	18	23	29	36	42	49	55	62	68	74	80	85	90	94	98	100	102
19.1 cm	0	2.4	5.9	10	14	19	24	29	34	39	44	49	54	59	64	68	72	75	78	80	82

32305F

	Seed Rate Handle Setting																				
	0	5	10	15	20	25	30	35	40	45	50	55	60	65	70	75	80	85	90	95	100
Rows	Drive Type: 2																				
	Seed Rate in Kilograms Per Hectare (based on 0.79 kg/litre)																				
15.2 cm	0	6.1	15	25	36	48	61	74	87	100	114	127	140	152	164	175	185	193	200	206	210
19.1 cm	0	4.9	12	20	29	38	49	59	70	80	91	102	112	122	131	140	148	155	160	165	168

32305F

	Seed Rate Handle Setting																				
	0	5	10	15	20	25	30	35	40	45	50	55	60	65	70	75	80	85	90	95	100
Rows	Drive Type: 3																				
	Seed Rate in Kilograms Per Hectare (based on 0.79 kg/litre)																				
15.2 cm	0	4.5	17	31	46	63	81	99	118	137	157	175	194	211	228	243	257	269	279	287	293
19.1 cm	0	3.6	14	25	37	51	65	79	95	110	125	140	155	169	182	195	206	215	224	230	234

32305F

	Seed Rate Handle Setting																				
	0	5	10	15	20	25	30	35	40	45	50	55	60	65	70	75	80	85	90	95	100
Rows	Drive Type: 4																				
	Seed Rate in Kilograms Per Hectare (based on 0.79 kg/litre)																				
15.2 cm	0	7.3	28	50	76	103	132	162	193	224	255	286	316	345	372	397	419	439	456	469	478
19.1 cm	0	5.9	22	40	61	82	106	130	154	179	204	229	253	276	297	317	335	351	365	375	382

32305F

Metric Rate Charts, Main Seed Box, continued...

Pinto Beans (*Phaseolus vulgaris*)

	Seed Rate Handle Setting																				
	0	5	10	15	20	25	30	35	40	45	50	55	60	65	70	75	80	85	90	95	100
Rows	Drive Type: 1																				
	Seed Rate in Kilograms Per Hectare (based on 0.79 kg/litre)																				
15.2 cm	0	5.8	10	14	19	25	31	38	45	52	59	65	72	79	85	90	95	99	103	105	107
19.1 cm	0	4.6	7.6	11	15	20	25	30	36	41	47	52	58	63	68	72	76	80	82	84	86

32306F

	Seed Rate Handle Setting																				
	0	5	10	15	20	25	30	35	40	45	50	55	60	65	70	75	80	85	90	95	100
Rows	Drive Type: 2																				
	Seed Rate in Kilograms Per Hectare (based on 0.79 kg/litre)																				
15.2 cm	0	12	20	29	40	52	64	78	92	106	120	135	148	162	174	185	196	204	211	217	220
19.1 cm	0	10	16	23	32	41	51	62	73	85	96	108	119	129	139	148	157	164	169	173	176

32306F

	Seed Rate Handle Setting																				
	0	5	10	15	20	25	30	35	40	45	50	55	60	65	70	75	80	85	90	95	100
Rows	Drive Type: 3																				
	Seed Rate in Kilograms Per Hectare (based on 0.79 kg/litre)																				
15.2 cm	0	20	30	44	59	75	94	113	133	153	174	195	215	234	252	269	285	298	309	317	323
19.1 cm	0	16	24	35	47	60	75	90	106	123	139	156	172	187	202	215	228	238	247	254	258

32306F

	Seed Rate Handle Setting																				
	0	5	10	15	20	25	30	35	40	45	50	55	60	65	70	75	80	85	90	95	100
Rows	Drive Type: 4																				
	Seed Rate in Kilograms Per Hectare (based on 0.79 kg/litre)																				
15.2 cm	0	32	50	71	96	123	153	184	217	250	284	317	350	382	412	439	464	486	504	518	527
19.1 cm	0	26	40	57	76	98	122	147	173	200	227	254	280	305	329	351	371	389	403	414	421

32306F

Metric Rate Charts, Main Seed Box, continued...

Rape (*Brassica napus*)

		Seed Rate Handle Setting																				
		0	5	10	15	20	25	30	35	40	45	50	55	60	65	70	75	80	85	90	95	100
Rows	Drive Type: 1	Seed Rate in Kilograms Per Hectare (based on 0.66 kg/litre)																				
15.2 cm		0	5.8	8.8	12	15	19	23	27	31	35	39	44	48	52	57	61	65	69	72	76	79
19.1 cm		0	4.7	7.0	10	12	15	18	21	25	28	32	35	38	42	45	49	52	55	58	61	63

32307F

		Seed Rate Handle Setting																				
		0	5	10	15	20	25	30	35	40	45	50	55	60	65	70	75	80	85	90	95	100
Rows	Drive Type: 2	Seed Rate in Kilograms Per Hectare (based on 0.66 kg/litre)																				
15.2 cm		0	12	18	25	32	39	47	55	64	72	81	90	99	108	116	125	133	141	148	156	162
19.1 cm		0	10	14	20	25	31	38	44	51	58	65	72	79	86	93	100	106	113	119	124	130

32307F

		Seed Rate Handle Setting																				
		0	5	10	15	20	25	30	35	40	45	50	55	60	65	70	75	80	85	90	95	100
Rows	Drive Type: 3	Seed Rate in Kilograms Per Hectare (based on 0.66 kg/litre)																				
15.2 cm		0	19	26	34	44	55	66	79	91	105	118	132	145	158	171	184	195	206	216	225	233
19.1 cm		0	15	21	27	35	44	53	63	73	84	94	105	116	127	137	147	156	165	173	180	186

32307F

		Seed Rate Handle Setting																				
		0	5	10	15	20	25	30	35	40	45	50	55	60	65	70	75	80	85	90	95	100
Rows	Drive Type: 4	Seed Rate in Kilograms Per Hectare (based on 0.66 kg/litre)																				
15.2 cm		0	30	42	56	72	89	108	128	149	171	192	214	236	258	279	299	318	336	352	367	379
19.1 cm		0	24	34	45	57	71	87	102	119	136	154	172	189	206	223	239	255	269	282	293	303

32307F

Metric Rate Charts, Main Seed Box, continued...

Rice, Long Grain (*Oryza sativa indica*)

	Seed Rate Handle Setting																								
	0	5	10	15	20	25	30	35	40	45	50	55	60	65	70	75	80	85	90	95	100				
Rows	Drive Type: 1					Seed Rate in Kilograms Per Hectare															(based on 0.60 kg/litre)				
15.2 cm	0	1.2	4.6	8.1	12	15	19	23	26	30	34	37	40	44	47	49	52	54	56	58	59				
19.1 cm	0	1.0	3.7	6.5	9.3	12	15	18	21	24	27	30	32	35	37	39	42	43	45	46	47				

32308F

	Seed Rate Handle Setting																								
	0	5	10	15	20	25	30	35	40	45	50	55	60	65	70	75	80	85	90	95	100				
Rows	Drive Type: 2					Seed Rate in Kilograms Per Hectare															(based on 0.60 kg/litre)				
15.2 cm	0	2.5	9.4	17	24	31	39	47	54	62	69	76	83	90	96	101	107	111	115	119	121				
19.1 cm	0	2.0	7.5	13	19	25	31	37	43	49	55	61	66	72	77	81	85	89	92	95	97				

32308F

	Seed Rate Handle Setting																								
	0	5	10	15	20	25	30	35	40	45	50	55	60	65	70	75	80	85	90	95	100				
Rows	Drive Type: 3					Seed Rate in Kilograms Per Hectare															(based on 0.60 kg/litre)				
15.2 cm	0	4.2	14	25	35	46	57	67	78	88	99	109	119	129	139	149	158	166	175	183	190				
19.1 cm	0	3.3	12	20	28	37	45	54	62	71	79	87	96	104	111	119	126	133	140	146	152				

32308F

	Seed Rate Handle Setting																								
	0	5	10	15	20	25	30	35	40	45	50	55	60	65	70	75	80	85	90	95	100				
Rows	Drive Type: 4					Seed Rate in Kilograms Per Hectare															(based on 0.60 kg/litre)				
15.2 cm	0	6.8	24	40	58	75	92	110	127	144	161	178	195	211	227	242	257	271	285	298	310				
19.1 cm	0	5.5	19	32	46	60	74	88	102	115	129	142	156	169	181	194	206	217	228	238	248				

32308F

Metric Rate Charts, Main Seed Box, continued...

**Rice, Short Grain (*Oryza sativa japonica*,
Oryza sativa sinica)**

	Seed Rate Handle Setting																				
	0	5	10	15	20	25	30	35	40	45	50	55	60	65	70	75	80	85	90	95	100
Rows	Drive Type: 1																				
	Seed Rate in Kilograms Per Hectare (based on 0.55 kg/litre)																				
15.2 cm	0	3.5	6.5	10	13	17	20	24	28	32	36	40	43	47	50	54	57	60	62	64	66
19.1 cm	0	2.8	5.2	7.7	10	13	16	19	22	25	29	32	35	38	40	43	45	48	50	51	53

32309F

	Seed Rate Handle Setting																				
	0	5	10	15	20	25	30	35	40	45	50	55	60	65	70	75	80	85	90	95	100
Rows	Drive Type: 2																				
	Seed Rate in Kilograms Per Hectare (based on 0.55 kg/litre)																				
15.2 cm	0	7.2	13	20	27	34	42	50	57	65	73	81	89	96	104	110	117	122	127	132	136
19.1 cm	0	5.8	11	16	21	27	33	40	46	52	59	65	71	77	83	88	93	98	102	105	108

32309F

	Seed Rate Handle Setting																				
	0	5	10	15	20	25	30	35	40	45	50	55	60	65	70	75	80	85	90	95	100
Rows	Drive Type: 3																				
	Seed Rate in Kilograms Per Hectare (based on 0.55 kg/litre)																				
15.2 cm	0	15	22	30	39	49	60	71	83	95	108	120	132	143	154	163	172	180	186	191	194
19.1 cm	0	12	18	24	31	39	48	57	67	76	86	96	105	114	123	131	138	144	149	153	155

32309F

	Seed Rate Handle Setting																				
	0	5	10	15	20	25	30	35	40	45	50	55	60	65	70	75	80	85	90	95	100
Rows	Drive Type: 4																				
	Seed Rate in Kilograms Per Hectare (based on 0.55 kg/litre)																				
15.2 cm	0	25	36	49	63	80	98	116	136	156	176	195	215	233	250	267	281	293	303	311	316
19.1 cm	0	20	29	39	51	64	78	93	109	124	140	156	172	186	200	213	225	235	243	249	252

32309F

Metric Rate Charts, Main Seed Box, continued...

Rye (*Secale cereale*)

	Seed Rate Handle Setting																				
	0	5	10	15	20	25	30	35	40	45	50	55	60	65	70	75	80	85	90	95	100
Rows	Drive Type: 1										Seed Rate in Kilograms Per Hectare										(based on 0.73 kg/litre)
15.2 cm	0	5.3	9.3	14	19	25	31	37	44	51	58	65	72	78	85	91	97	102	107	111	114
19.1 cm	0	4.3	7.4	11	15	20	25	30	35	41	46	52	57	63	68	73	77	82	85	88	91

32310F

	Seed Rate Handle Setting																				
	0	5	10	15	20	25	30	35	40	45	50	55	60	65	70	75	80	85	90	95	100
Rows	Drive Type: 2										Seed Rate in Kilograms Per Hectare										(based on 0.73 kg/litre)
15.2 cm	0	11	19	29	39	51	64	77	91	105	119	133	147	161	174	187	199	209	219	227	234
19.1 cm	0	8.8	15	23	31	41	51	61	72	84	95	107	118	129	139	150	159	168	175	182	187

32310F

	Seed Rate Handle Setting																				
	0	5	10	15	20	25	30	35	40	45	50	55	60	65	70	75	80	85	90	95	100
Rows	Drive Type: 3										Seed Rate in Kilograms Per Hectare										(based on 0.73 kg/litre)
15.2 cm	0	19	30	43	59	76	94	114	134	155	177	199	221	242	263	283	302	320	336	350	362
19.1 cm	0	15	24	35	47	60	75	91	107	124	142	159	177	194	210	226	242	256	269	280	290

32310F

	Seed Rate Handle Setting																				
	0	5	10	15	20	25	30	35	40	45	50	55	60	65	70	75	80	85	90	95	100
Rows	Drive Type: 4										Seed Rate in Kilograms Per Hectare										(based on 0.73 kg/litre)
15.2 cm	0	31	49	71	96	123	153	185	219	253	289	324	360	395	429	462	493	521	548	571	591
19.1 cm	0	25	39	57	76	99	123	148	175	203	231	259	288	316	343	369	394	417	438	457	473

32310F

Metric Rate Charts, Main Seed Box, continued...

Perennial Rye Grass - Palmer
(*Lolium perenne*, *Lolium multiflorum*)

	Seed Rate Handle Setting																				
	0	5	10	15	20	25	30	35	40	45	50	55	60	65	70	75	80	85	90	95	100
Rows	Drive Type: 1																				
	Seed Rate in Kilograms Per Hectare (based on 0.46 kg/litre)																				
15.2 cm	0	3.4	5.0	6.8	8.9	11	13	16	19	21	24	26	29	31	34	36	38	40	42	43	44
19.1 cm	0	2.7	4.0	5.5	7.1	8.9	11	13	15	17	19	21	23	25	27	29	30	32	33	34	35

32311F

	Seed Rate Handle Setting																				
	0	5	10	15	20	25	30	35	40	45	50	55	60	65	70	75	80	85	90	95	100
Rows	Drive Type: 2																				
	Seed Rate in Kilograms Per Hectare (based on 0.46 kg/litre)																				
15.2 cm	0	6.9	10	14	18	23	28	33	38	43	49	54	59	65	69	74	78	82	85	88	90
19.1 cm	0	5.5	8.2	11	15	18	22	26	30	35	39	43	48	52	56	59	63	66	68	71	72

32311F

	Seed Rate Handle Setting																				
	0	5	10	15	20	25	30	35	40	45	50	55	60	65	70	75	80	85	90	95	100
Rows	Drive Type: 3																				
	Seed Rate in Kilograms Per Hectare (based on 0.46 kg/litre)																				
15.2 cm	0	14	17	21	27	33	41	49	57	66	76	85	94	103	111	119	126	131	136	139	141
19.1 cm	0	11	13	17	21	26	32	39	46	53	61	68	75	82	89	95	101	105	109	112	113

32311F

	Seed Rate Handle Setting																				
	0	5	10	15	20	25	30	35	40	45	50	55	60	65	70	75	80	85	90	95	100
Rows	Drive Type: 4																				
	Seed Rate in Kilograms Per Hectare (based on 0.46 kg/litre)																				
15.2 cm	0	23	27	34	43	54	66	79	93	108	123	138	153	168	181	194	205	214	222	227	230
19.1 cm	0	18	22	27	35	43	53	63	75	87	99	111	123	134	145	155	164	171	178	182	184

32311F

Metric Rate Charts, Main Seed Box, continued...

Soybeans (*Glycine max*)

	Seed Rate Handle Setting																				
	0	5	10	15	20	25	30	35	40	45	50	55	60	65	70	75	80	85	90	95	100
Rows	Drive Type: 1																				
	Seed Rate in Kilograms Per Hectare (based on 0.75 kg/litre)																				
15.2 cm	0	5.7	10	14	19	25	31	37	43	49	56	62	68	74	80	85	90	95	98	102	104
19.1 cm	0	4.5	7.8	11	16	20	25	29	34	40	45	50	55	59	64	68	72	76	79	81	83

32312F

	Seed Rate Handle Setting																				
	0	5	10	15	20	25	30	35	40	45	50	55	60	65	70	75	80	85	90	95	100
Rows	Drive Type: 2																				
	Seed Rate in Kilograms Per Hectare (based on 0.75 kg/litre)																				
15.2 cm	0	12	20	29	40	51	63	76	89	102	115	128	140	153	164	175	185	194	202	209	214
19.1 cm	0	9.3	16	24	32	41	51	61	71	81	92	102	112	122	131	140	148	156	162	167	171

32312F

	Seed Rate Handle Setting																				
	0	5	10	15	20	25	30	35	40	45	50	55	60	65	70	75	80	85	90	95	100
Rows	Drive Type: 3																				
	Seed Rate in Kilograms Per Hectare (based on 0.75 kg/litre)																				
15.2 cm	0	15	29	44	60	77	94	112	131	149	168	186	204	222	239	255	270	284	297	309	319
19.1 cm	0	12	23	35	48	61	75	90	104	119	134	149	163	177	191	204	216	228	238	247	255

32312F

	Seed Rate Handle Setting																				
	0	5	10	15	20	25	30	35	40	45	50	55	60	65	70	75	80	85	90	95	100
Rows	Drive Type: 4																				
	Seed Rate in Kilograms Per Hectare (based on 0.75 kg/litre)																				
15.2 cm	0	25	47	72	98	125	154	183	213	243	273	303	333	361	389	416	441	464	485	504	520
19.1 cm	0	20	38	57	78	100	123	146	170	194	219	243	266	289	311	333	353	371	388	403	416

32312F

Metric Rate Charts, Main Seed Box, continued...

Sunflower (*Helianthus annuus*)

Rows	Seed Rate Handle Setting																				
	0	5	10	15	20	25	30	35	40	45	50	55	60	65	70	75	80	85	90	95	100
	Drive Type: 1																				
	Seed Rate in Kilograms Per Hectare (based on 0.36 kg/litre)																				
15.2 cm	0	0.4	2.3	4.4	6.7	9.1	12	14	17	20	22	25	28	30	33	35	37	40	42	43	45
19.1 cm	0	0.3	1.9	3.5	5.3	7.3	9.3	11	13	16	18	20	22	24	26	28	30	32	33	35	36

32313F

Rows	Seed Rate Handle Setting																				
	0	5	10	15	20	25	30	35	40	45	50	55	60	65	70	75	80	85	90	95	100
	Drive Type: 2																				
	Seed Rate in Kilograms Per Hectare (based on 0.36 kg/litre)																				
15.2 cm	0	0.9	4.8	9.1	14	19	24	29	35	40	46	51	57	62	67	72	77	81	85	89	92
19.1 cm	0	0.7	3.8	7.3	11	15	19	23	28	32	37	41	45	50	54	58	62	65	68	71	74

32313F

Rows	Seed Rate Handle Setting																				
	0	5	10	15	20	25	30	35	40	45	50	55	60	65	70	75	80	85	90	95	100
	Drive Type: 3																				
	Seed Rate in Kilograms Per Hectare (based on 0.36 kg/litre)																				
15.2 cm	0	3.5	7.6	13	18	24	31	39	46	54	62	70	78	85	93	100	106	113	118	123	127
19.1 cm	0	2.8	6.1	10	15	20	25	31	37	43	49	56	62	68	74	80	85	90	94	98	101

32313F

Rows	Seed Rate Handle Setting																				
	0	5	10	15	20	25	30	35	40	45	50	55	60	65	70	75	80	85	90	95	100
	Drive Type: 4																				
	Seed Rate in Kilograms Per Hectare (based on 0.36 kg/litre)																				
15.2 cm	0	5.7	12	20	30	40	51	63	75	88	101	114	126	139	151	163	174	184	192	200	206
19.1 cm	0	4.6	10	16	24	32	41	50	60	70	81	91	101	111	121	130	139	147	154	160	165

32313F

Metric Rate Charts, Main Seed Box, continued...

Tiffany Teff, Coated (*Eragrostis tef*)

	Seed Rate Handle Setting																				
	0	5	10	15	20	25	30	35	40	45	50	55	60	65	70	75	80	85	90	95	100
Rows	Drive Type: 1																				
	Seed Rate in Kilograms Per Hectare (based on 0.84 kg/litre)																				
15.2 cm	0	5.6	8.8	12	16	20	25	29	34	39	44	49	55	60	65	71	76	81	87	92	97
19.1 cm	0	4.5	7.0	10	13	16	20	23	27	31	35	39	44	48	52	57	61	65	69	73	77

32314F

	Seed Rate Handle Setting																				
	0	5	10	15	20	25	30	35	40	45	50	55	60	65	70	75	80	85	90	95	100
Rows	Drive Type: 2																				
	Seed Rate in Kilograms Per Hectare (based on 0.84 kg/litre)																				
15.2 cm	0	12	18	25	33	42	51	60	70	80	91	101	112	123	134	145	156	167	178	188	198
19.1 cm	0	9.3	14	20	27	33	41	48	56	64	73	81	90	99	108	116	125	134	142	151	159

32314F

	Seed Rate Handle Setting																				
	0	5	10	15	20	25	30	35	40	45	50	55	60	65	70	75	80	85	90	95	100
Rows	Drive Type: 3																				
	Seed Rate in Kilograms Per Hectare (based on 0.84 kg/litre)																				
15.2 cm	0	17	27	38	50	63	76	90	105	120	136	152	169	185	202	218	235	251	267	283	298
19.1 cm	0	14	22	30	40	50	61	72	84	96	109	122	135	148	161	175	188	201	214	226	238

32314F

	Seed Rate Handle Setting																				
	0	5	10	15	20	25	30	35	40	45	50	55	60	65	70	75	80	85	90	95	100
Rows	Drive Type: 4																				
	Seed Rate in Kilograms Per Hectare (based on 0.84 kg/litre)																				
15.2 cm	0	28	44	62	81	102	124	147	171	196	222	248	275	302	329	356	383	409	435	461	485
19.1 cm	0	23	35	50	65	82	99	118	137	157	177	198	220	241	263	285	306	327	348	369	388

32314F

Metric Rate Charts, Main Seed Box, continued...

Wheat (*Triticum*)

		Seed Rate Handle Setting																				
		0	5	10	15	20	25	30	35	40	45	50	55	60	65	70	75	80	85	90	95	100
Rows	Drive Type: 1	Seed Rate in Kilograms Per Hectare (based on 0.82 kg/litre)																				
15.2 cm		0	10	12	16	20	25	30	36	43	49	56	63	70	77	83	89	95	100	105	109	111
19.1 cm		0	8.0	10	13	16	20	24	29	34	40	45	51	56	61	67	72	76	80	84	87	89

32315F

		Seed Rate Handle Setting																				
		0	5	10	15	20	25	30	35	40	45	50	55	60	65	70	75	80	85	90	95	100
Rows	Drive Type: 2	Seed Rate in Kilograms Per Hectare (based on 0.82 kg/litre)																				
15.2 cm		0	21	26	32	41	51	62	75	88	102	116	130	144	158	171	184	196	206	216	223	229
19.1 cm		0	16	20	26	33	41	50	60	70	81	92	104	115	126	137	147	157	165	172	179	183

32315F

		Seed Rate Handle Setting																				
		0	5	10	15	20	25	30	35	40	45	50	55	60	65	70	75	80	85	90	95	100
Rows	Drive Type: 3	Seed Rate in Kilograms Per Hectare (based on 0.82 kg/litre)																				
15.2 cm		0	26	36	48	62	78	95	113	132	151	171	191	210	230	248	266	282	297	311	322	331
19.1 cm		0	21	29	38	50	62	76	90	105	121	137	153	168	184	199	213	226	238	249	258	265

32315F

		Seed Rate Handle Setting																				
		0	5	10	15	20	25	30	35	40	45	50	55	60	65	70	75	80	85	90	95	100
Rows	Drive Type: 4	Seed Rate in Kilograms Per Hectare (based on 0.82 kg/litre)																				
15.2 cm		0	42	59	78	101	127	154	184	215	246	278	311	343	374	405	433	460	485	507	525	540
19.1 cm		0	34	47	63	81	101	123	147	172	197	223	249	274	300	324	347	368	388	405	420	432

32315F

Metric Rate Charts, Main Seed Box, continued...

**Wheatgrass (*Pascopyrum smithii*,
Agropyron elongatum)**

Rows	Seed Rate Handle Setting																				
	0	5	10	15	20	25	30	35	40	45	50	55	60	65	70	75	80	85	90	95	100
	(based on 0.30 kg/litre)																				
15.2 cm	0	1.3	2.3	3.4	4.5	5.6	6.8	8.1	9.3	11	12	13	14	16	17	18	19	20	21	22	23
19.1 cm	0	1.1	1.9	2.7	3.6	4.5	5.5	6.4	7.4	8.4	9.5	10	11	12	13	14	15	16	17	18	18

32316F

Rows	Seed Rate Handle Setting																				
	0	5	10	15	20	25	30	35	40	45	50	55	60	65	70	75	80	85	90	95	100
	(based on 0.30 kg/litre)																				
15.2 cm	0	2.7	4.8	6.9	9.2	12	14	17	19	22	24	27	29	32	34	37	39	41	43	45	47
19.1 cm	0	2.2	3.8	5.5	7.4	9.3	11	13	15	17	19	22	24	26	28	29	31	33	35	36	37

32316F

Rows	Seed Rate Handle Setting																				
	0	5	10	15	20	25	30	35	40	45	50	55	60	65	70	75	80	85	90	95	100
	(based on 0.30 kg/litre)																				
15.2 cm	0	4.9	7.5	10	14	17	20	24	28	32	36	39	43	47	51	54	57	60	63	66	68
19.1 cm	0	3.9	6.0	8.3	11	13	16	19	22	25	28	31	35	38	40	43	46	48	51	53	54

32316F

Rows	Seed Rate Handle Setting																				
	0	5	10	15	20	25	30	35	40	45	50	55	60	65	70	75	80	85	90	95	100
	(based on 0.30 kg/litre)																				
15.2 cm	0	7.9	12	17	22	27	33	39	45	52	58	64	70	77	82	88	94	99	103	107	111
19.1 cm	0	6.3	10	14	18	22	27	31	36	41	46	51	56	61	66	70	75	79	83	86	89

32316F

Metric Rate Charts, Small Seeds Box

See page 33 for instructions.

Charts in U.S. customary units begin on page 36.

Alfalfa, Red Alsike, Crimson Clover

Rows	Small Seeds Cup Lever Setting																				
	0	5	10	15	20	25	30	35	40	45	50	55	60	65	70	75	80	85	90	95	100
	Seeding Rate in Kilograms per Hectare																				
15.2cm (6in)	0	0.0	2.5	3.9	5.4	6.8	8.5	9.8	11.0	12.6	14.1	15.5	17.0	18.5	19.7	21.0	22.8	24.1	25.8	27.0	28.4
19.1cm (7.5in)	0	0.0	2.0	3.2	4.4	5.4	6.8	7.9	8.9	10.1	11.3	12.5	13.6	14.9	15.8	17.2	18.3	19.4	20.6	21.7	22.9

Kentucky Bluegrass, Fescue, Annual Rye Grass

Rows	Small Seeds Cup Lever Setting																				
	0	5	10	15	20	25	30	35	40	45	50	55	60	65	70	75	80	85	90	95	100
	Seeding Rate in Kilograms per Hectare																				
15.2cm (6in)	0	0.0	0.2	1.4	2.1	3.0	3.7	4.6	5.2	5.9	6.5	7.1	7.7	8.2	8.8	9.4	9.9	10.4	10.9	11.3	11.8
19.1cm (7.5in)	0	0.0	0.2	1.0	1.7	2.5	3.0	3.7	4.2	4.7	5.2	5.7	6.2	6.6	7.1	7.5	7.9	8.3	8.3	9.1	9.5

Bermuda, Red Top, Lespedeza Unhulled, Sercia, Sand, Weeping Love Grass

Rows	Small Seeds Cup Lever Setting																				
	0	5	10	15	20	25	30	35	40	45	50	55	60	65	70	75	80	85	90	95	100
	Seeding Rate in Kilograms per Hectare																				
15.2cm (6in)	0	0.0	0.8	1.2	1.9	2.9	3.7	4.6	5.6	6.6	7.4	8.1	8.8	9.5	10.1	10.7	11.5	12.3	13.1	13.7	14.5
19.1cm (7.5in)	0	0.0	0.6	1.0	1.6	2.4	2.9	3.7	4.5	5.3	6.0	6.5	7.1	7.5	8.1	8.6	9.2	9.9	10.5	11.0	11.7

Red & Sweet Clover, Lespedeza Hulled

Rows	Small Seeds Cup Lever Setting																				
	0	5	10	15	20	25	30	35	40	45	50	55	60	65	70	75	80	85	90	95	100
	Seeding Rate in Kilograms per Hectare																				
15.2cm (6in)	0	0.0	1.7	3.8	3.8	8.0	10.1	12.7	14.9	17.2	19.2	21.4	23.4	25.4	27.6	29.7	31.9	33.9	36.2	38.1	40.1
19.1cm (7.5in)	0	0.0	1.4	3.0	4.7	6.4	8.1	10.3	11.9	13.9	15.4	17.2	18.8	20.4	22.2	23.9	25.6	27.3	29.1	30.6	32.2

Orchard Grass

Rows	Small Seeds Cup Lever Setting																				
	0	5	10	15	20	25	30	35	40	45	50	55	60	65	70	75	80	85	90	95	100
	Seeding Rate in Kilograms per Hectare																				
15.2cm (6in)	0	0.0	0.0	0.3	0.8	1.0	1.5	1.7	2.3	2.7	3.2	3.7	3.9	4.4	5.0	5.4	5.6	6.2	6.4	6.4	7.1
19.1cm (7.5in)	0	0.0	0.0	0.2	0.6	0.8	0.8	1.4	1.4	1.4	1.4	1.4	3.2	3.6	3.9	4.4	4.5	5.0	5.2	5.5	5.5

Metric Rate Charts, Small Seeds Box, continued...

Millet, Reed Canary

Rows	Small Seeds Cup Lever Setting																				
	0	5	10	15	20	25	30	35	40	45	50	55	60	65	70	75	80	85	90	95	100
	Seeding Rate in Kilograms per Hectare																				
15.2cm (6in)	0	0.5	1.6	2.7	3.9	5.0	6.2	7.3	8.5	9.6	10.7	11.8	13.0	14.1	15.3	16.5	17.6	18.7	19.8	20.8	21.4
19.1cm (7.5in)	0	0.3	1.4	1.4	1.4	4.1	5.0	5.9	6.8	7.7	8.6	9.5	10.5	11.4	12.3	13.2	14.1	15.0	15.9	16.8	17.0

Ladino Clover, Canary Grass, Timothy, Canola

Rows	Small Seeds Cup Lever Setting																				
	0	5	10	15	20	25	30	35	40	45	50	55	60	65	70	75	80	85	90	95	100
	Seeding Rate in Kilograms per Hectare																				
15.2cm (6in)	0	0.0	1.2	2.4	3.7	5.3	6.9	8.6	10.4	12.1	13.7	15.5	17.5	19.2	20.7	22.9	24.5	26.4	28.6	30.8	32.9
19.1cm (7.5in)	0	0.0	1.0	1.8	2.9	4.4	4.4	4.4	8.3	9.7	11.0	12.5	14.1	15.4	16.8	18.4	19.8	21.2	23.0	24.7	26.5

Birdsfoot, Trefoil, Sudan

Rows	Small Seeds Cup Lever Setting																				
	0	5	10	15	20	25	30	35	40	45	50	55	60	65	70	75	80	85	90	95	100
	Seeding Rate in Kilograms per Hectare																				
15.2cm (6in)	0	0.0	1.9	3.7	5.9	7.7	7.7	12.1	12.1	16.6	18.9	18.9	23.9	26.4	28.8	28.8	33.7	36.2	38.5	40.9	43.3
19.1cm (7.5in)	0	0.0	1.6	1.6	1.6	1.6	7.9	9.7	11.5	11.5	15.2	17.4	17.4	17.4	17.4	25.4	27.0	29.1	31.1	32.8	32.8



Corporate Office: P.O. Box 5060
Salina, Kansas 67402-5060 USA
